

TA Series



DC/DC

18 Watts

Single/Dual/Triple Outputs

- 4:1 ultra wide input range
9-36 Vdc
20-72 Vdc
- Remote shutdown
- 100kHz switching frequency
- Continuous short circuit protection
- Six-sided shielding

Specifications

INPUT

Voltage Range	9-36Vdc 20-72Vdc
Filtering	All Models
Reverse Polarity Protected	To Nominal Input Current External Fuse Required
Remote On/Off Control	All Models

OUTPUT

Voltage Tolerance	± 1% Main ± 3% Auxiliary
Ripple and Noise	50mV pk-pk
Short Circuit Protection	Continuous Power Cycle
Temperature Coefficient	0.02% / °C

GENERAL

Regulation:	Main	Aux
Line	0.5%	3.0%
Load	1.0%	3.0%
Efficiency	77% (typ)	
I/O Isolation	500 Vdc	
Switching Frequency	100khz (typ)	

ENVIRONMENTAL

Operating Temperature	-25°C to +71°C No Derating
Storage Temperature	-25°C to +105°C
Cooling	Free-air Convection

All specifications are typical at nominal line and full load at 25°C unless otherwise noted and are subject to change without notice.

The 18-Watt TA series operates over an ultra wide input range of 9-36 Vdc or 20-72 Vdc. Efficiencies of 77% are typical over varying load conditions of 25% to 100%. Additional features include input reverse polarity protection, remote on/off control, logic compatible with CMOS or open collector TTL, short circuit protection with auto restart, overvoltage protection, and an operating temperature range of -25°C to +71°C with no derating. Units are packaged in a six-sided continuous shielded case for EMI/RFI protection and measure 2.5" x 3.0" x 0.83".

Applications

These units are ideally suited for telecommunications and applications having a widely varying input voltage such as automotive test equipment, process control, minicomputers and geosurvey equipment.



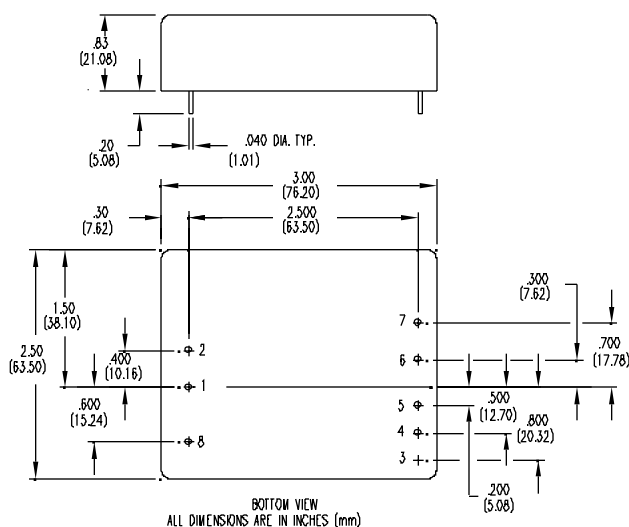
SEMICONDUCTOR
CIRCUITS, INC.

888.438.3232 888.GET.DCDC

TA Series Ordering Information

Input Voltage Range	Output Voltage	Output Current	Model Number
9-36 Vdc 20-72 Vdc	5 Vdc 5 Vdc	3500mA 3500mA	TA11-350-18 TA11-350-48
9-36 Vdc 20-72 Vdc	12 Vdc 12 Vdc	1500mA 1500mA	TA12-150-18 TA12-150-48
9-36 Vdc 20-72 Vdc	15 Vdc 15 Vdc	1200mA 1200mA	TA13-120-18 TA13-120-48
9-36 Vdc 20-72 Vdc	±12 Vdc ±12 Vdc	±750mA ±750mA	TA22-150-18 TA22-150-48
9-36 Vdc 20-72 Vdc	±15 Vdc ±15 Vdc	±600mA ±600mA	TA23-120-18 TA23-120-48
9-36 Vdc 20-72 Vdc	+5 / ±12Vdc +5 / ±12Vdc	2000 / ±310mA 2000 / ±310mA	TA34-260-18 TA34-260-48
9-36 Vdc 20-72 Vdc	+5 / ±15Vdc +5 / ±15Vdc	2000 / ±260mA 2000 / ±260mA	TA35-250-18 TA35-250-48

Dimensions and Connections



ALL DIMENSIONS ARE IN INCHES (mm)
Pins 0.040 (1.0) dia x 0.20 (5.1) lg min.

PIN CONNECTIONS

Single Output

1. +Input
2. -Input
3. No Pin
4. Trim
5. No Pin
6. +Output
7. -Output
8. Remote On/Off

PIN CONNECTIONS

Multiple Outputs

1. +Input
2. -Input
3. +12 or 15 Output
4. Common
5. -12 or 15 Output
6. +5 Output
7. Common
8. Remote On/Off

NOTES:

1. Ripple measured with a 3.3 mf tantalum capacitor across each output.
2. Load regulation from full load to minimum load with all other outputs at rated load.
3. Minimum current required on 5V out only.
4. Maximum total power from all outputs is 18 Watts and no output is to exceed its maximum rated current.

External Output Trimming: Output may be externally trimmed ±10% (Single output only).

Remote ON/Off Control (pin 8) common referenced to Minus input (pin 2).
On greater than 4 Vdc or open circuit
Off less than 1.2 Vdc

11/01/2001