



## General Specifications

### Motor Protection:

Locker Rotor, Reverse Polarity

### Insulation Resistance:

100M Ω or over with a DC500V Megger

### Dielectric Withstand Voltage: AC 700V 1s

### Allowable Ambient Temperature Range:

-30°C ~ +70°C (Operating)

-40°C ~ +70°C (Storage)

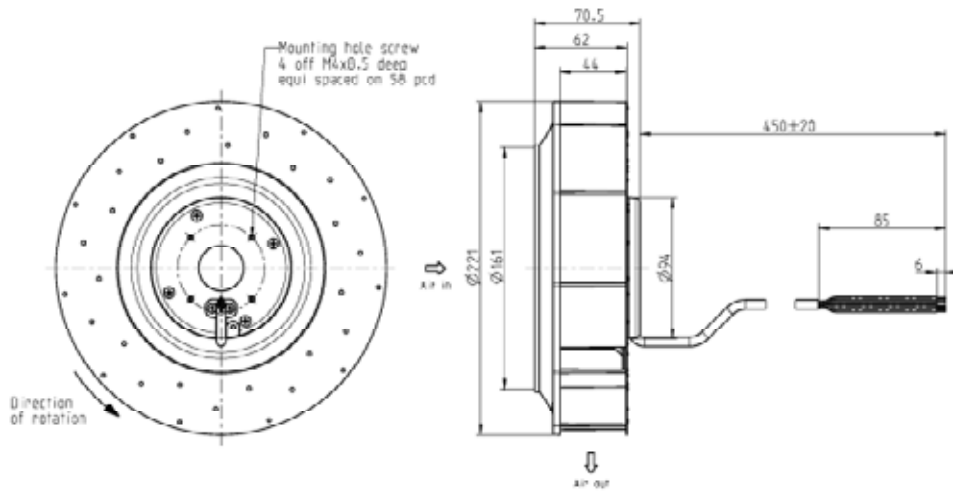
## Expected Life

### Failure Rate: 10%

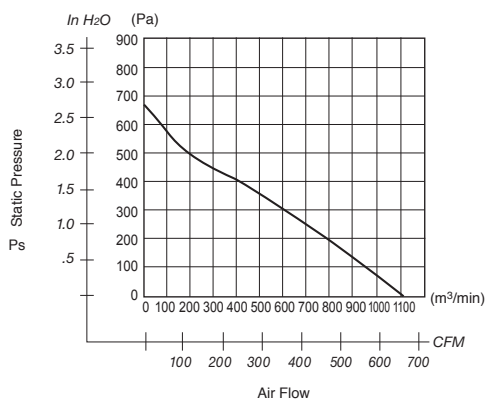
40°C 70,000 Hours

## Outline

Units:  $\frac{\text{inch}}{\text{mm}}$



## Characteristic Curves



## Material

Impeller : Plastic

Bearing : Ball Bearings

## Specifications

MODEL	Product No.	Rated Voltage	Operating Voltage	Current	Input Power	Speed	Max. Air Flow		Max. Static Pressure		Noise	Mass
		(V)	(V)	(A) <sup>*1</sup>	(W) <sup>*1</sup>	(min <sup>-1</sup> ) <sup>*1</sup>	CFM <sup>*1</sup>	(m <sup>3</sup> /H)	in H <sub>2</sub> O	(Pa) <sup>*1</sup>	(dB) <sup>*1</sup>	(g)
220R071-DO5	AXX	24	16 ~ 28	4.7	113	3240	648.6	1102	2.6	672	74.0	-
220R071-DO7	AXX	48	36 ~ 57	2.3	110	3120	648.6	1102	2.6	672	73.0	-

\*1: Average Values in Free Air