

4712FL (119[□]x 32^L)



EMINEBEA.COM

General Specifications

Motor Protection:

Auto Restart/Polarity Protection

Insulation Resistance: 10M Ω or over with a DC500V Megger

Dielectric Withstand Voltage: AC 700V 1s

Allowable Ambient Temperature Range:

-10°C ~ +70°C (Operating)

-40°C ~ +70°C (Storage)

(non-condensing environment)

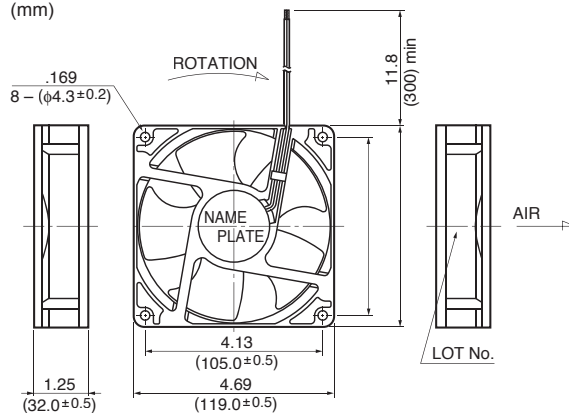
Expected Life

Failure Rate: 10%

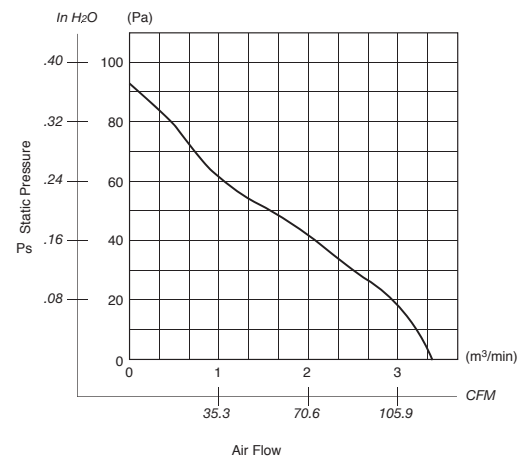
25°C 100,000 Hours (P00)

Outline

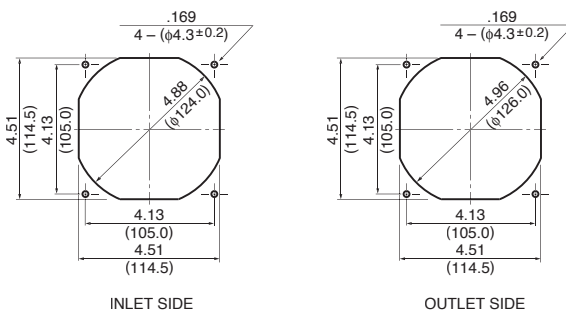
Units: $\frac{\text{inch}}{\text{mm}}$



Characteristic Curves



Panel Cut-outs



Material

Casing : Plastic (Black) 94V-0
 Impeller : Plastic (Black) 94V-0
 Bearing : Ball Bearing
 Lead Wire : UL1061, AWG22 , +Red, -Black

Specifications

MODEL	Product No.	Rated Voltage	Operating Voltage	Current	Input Power	Speed	Max. Air Flow		Max. Static Pressure		Noise	Mass
		(V)	(V)	(A) ^{*1}	(W) ^{*1}	(min ⁻¹) ^{*1}	CFM ^{*1}	(m ³ /min) ^{*1}	in H ₂ O	(Pa) ^{*1}	(dB) ^{*1}	(g)
4712FL-07W-B40-	X00	48	24.0 ~ 56.0	0.21	10.08	3600	120.0	3.40	0.37	94.2	57.0	240

Rotation: Clockwise

Airflow Outlet: Air In Over Struts

*1: Average Values in Free Air