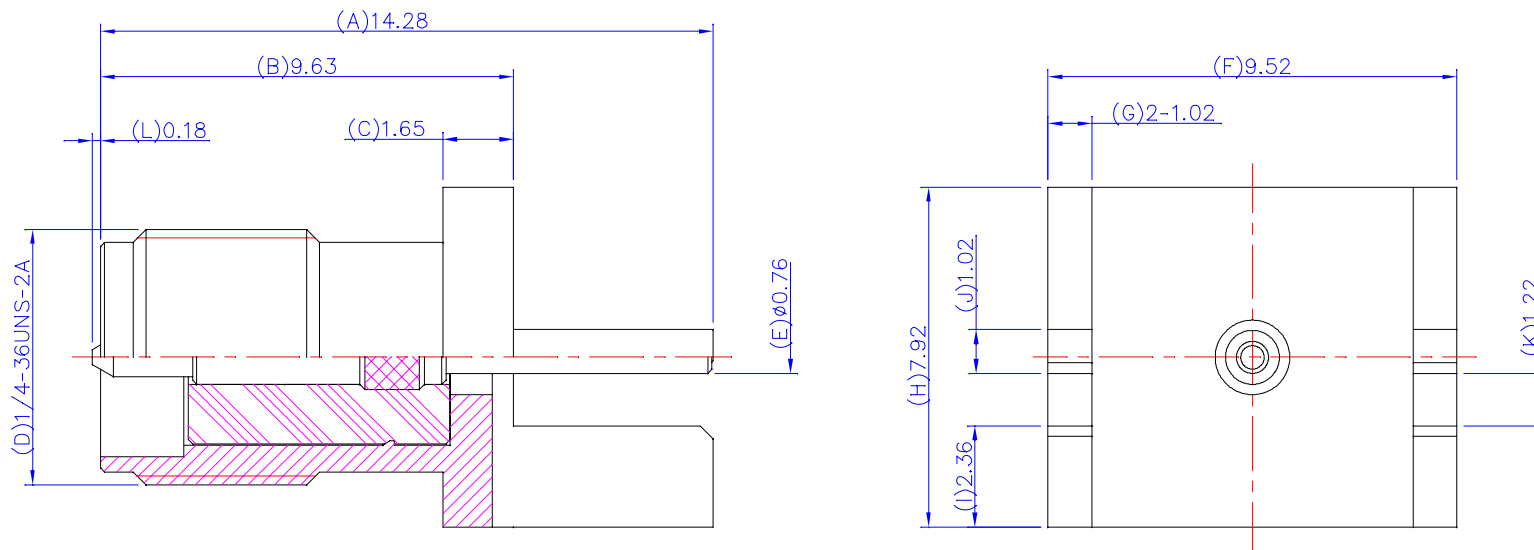
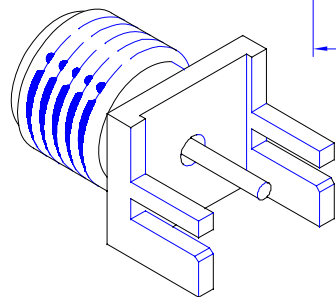
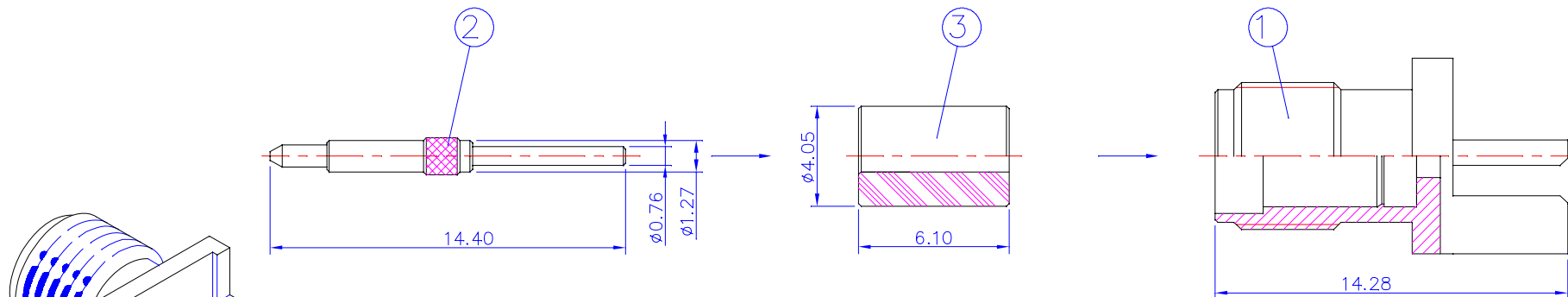


*REVISED EDITION*			
DATE	Resp.	DESCRIPTION	REV



SCALE 6:1



SURF. TEXTURE 3.2	SCALE 4 : 1	ISSUED	DATE	<b>HANTECHNIC INC.,</b> TITLE SMA STR JACK REVERSE FOR PCB	
	TOLERANCE $\pm 0.10$	CHECKED	DATE		
	ANGLES —	Q.C.	DATE		
FINISH SEE TABLE	HEAT TREAT —	HQ-F3248			
MATERIAL SEE TABLE	DRAWN CHEN	DATE 06/21/2002	SIZE A4	DWG NO. 309-0813-11010	REV A
CAD FILE: HT_RF-309-0803-11010A			UNITS MM	CUSTOMER NO.	

ITEM	HT PART NO.	DESCRIPTION	MATERIAL	FINISH	Q'TY
3	315-0001-00000	INSULATOR	TEFLON	—	1
2	316-0290-11000	PIN	BRASS C3602B	Cu0.75umNi1.25umAu0.75um	1
1	321-0454-11000	PCB BODY	BRASS C3602B	Cu0.75umNi1.25umAu0.13um	1