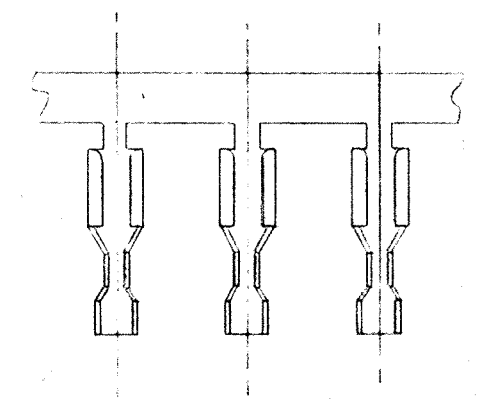
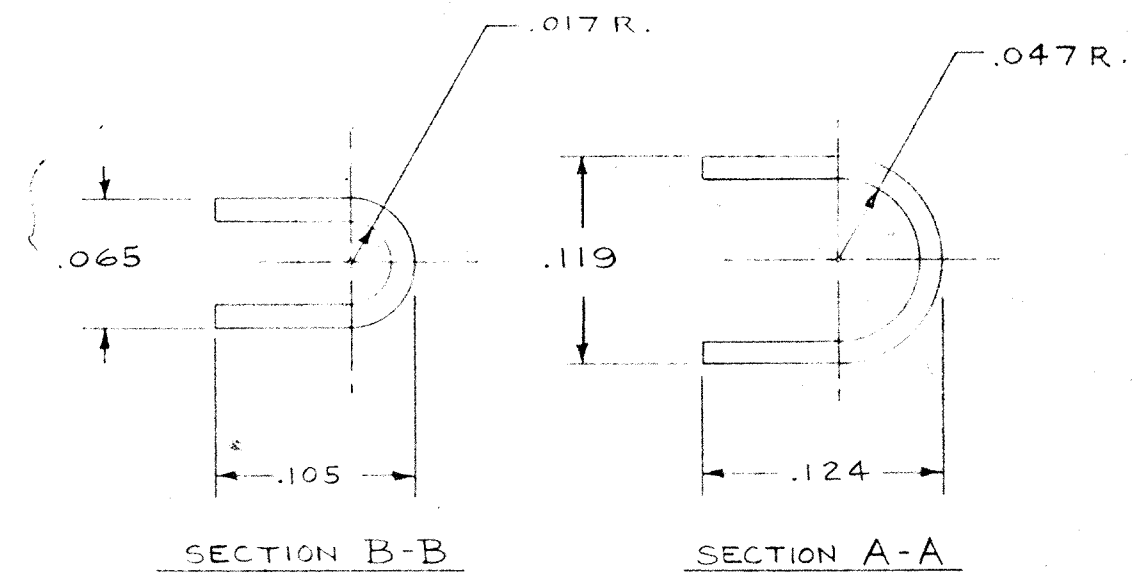
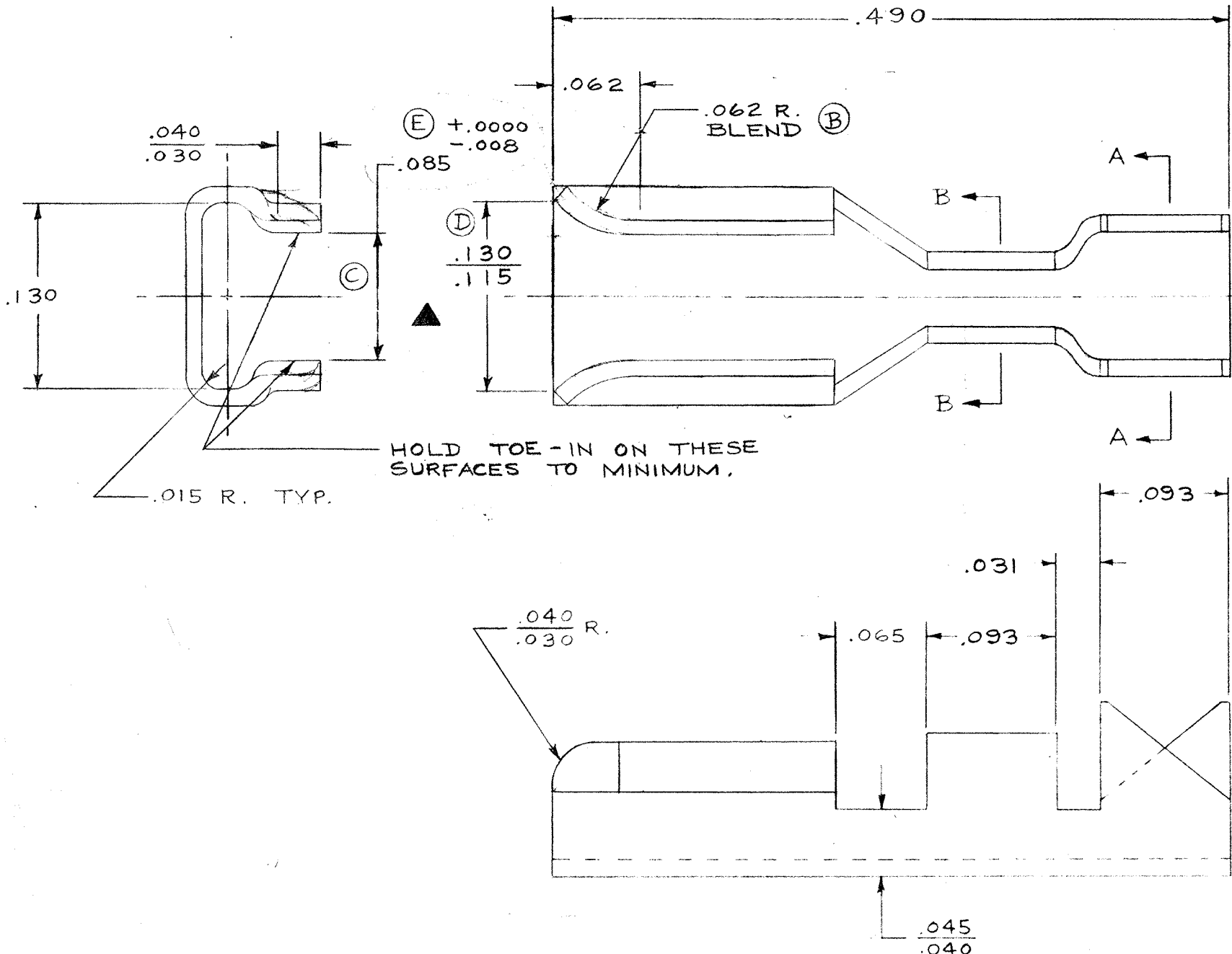


TERMINAL - FEMALE

NOTE: 57200141
REF. 3750H3F TOOLS.



FABRICATED TERMINAL STRIP
SCALE: 2 TO 1

ARK-LES UNCONTROLLED ORIGINAL IF RED

DEPT	
1	1
2	1
3	
4	
5	
6	
7	
8	
9	
10	1
11	
12	
13	
14	
15	
16	
17	
18	
19	
20	
21	
22	
23	
24	
25	
26	
27	
28	
29	
30	
31	
32	
33	
34	
35	
36	
37	
38	
39	
40	
41	
42	1
43	
44	
45	
46	
47	
48	

NOTE: (F) WIRE GRIP MAY BE UNBALANCED .010.
INSULATION GRIP MAY BE UNBALANCED .020.

F	NOTE ADDED	10-30-63	RR	RELEASED FOR PRODUCTION	85603	JAN. 24, 64	B.C.	TOLERANCES UNLESS OTHERWISE SPECIFIED:
E	WAS .072-.080 REV. PER PARTS	6-22-64	B.C.	RELEASED FOR TOOLS	85603	JAN. 24, 64	B.C.	DECIMALS ± .010 FRACTIONS ± .010 ANGLES ± 1°
D	WAS .100-.115	5-18-64	B.C.	RELEASED FOR QUOTATION		NOV. 26, 63	B.C.	
C	WAS .077-.085	5-18-64	B.C.	NEW DRAWING SUPERSEDES				DO NOT SCALE DRAWING
B	FLARE REVISED	5-18-64	B.C.	DRAWN BY	B.C.			MATERIAL .0126 NICKEL SILVER - ASTM B122
A	GENERAL REVISION	12-5-63	B.C.	CHECKED BY	ARF			OR CABRA ALLOY #757
	REVISIONS	DATE	APP	APPROVED BY	ARF			FINISH

DATE OF DRAWING NOV. 19, 1963 SCALE 10 TO 1 DATE OF PRINT DESTROY ALL PREVIOUS PRINTS