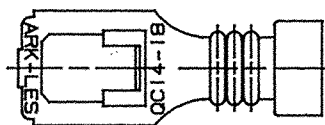
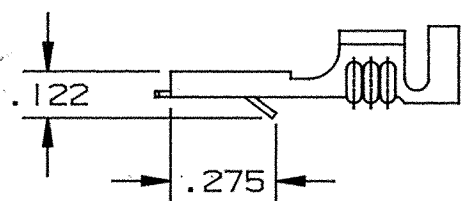
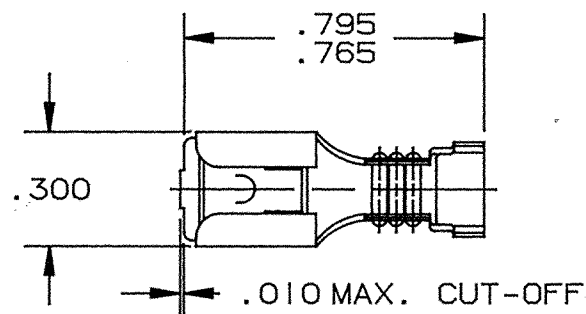


DEPT	
1	1
2	
3	
4	1
5	
6	
7	
8	
9	
10	
11	
12	
NC	
JZ	

PART NAME: TERMINAL, FEMALE LOCK-IN

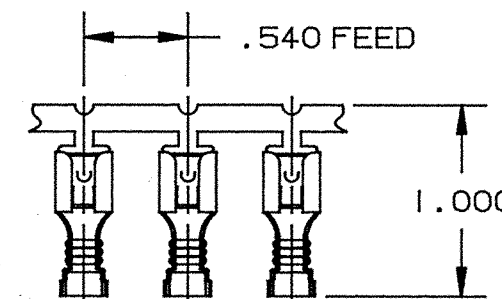
PART NO: 3000H118/-5



PART NUMBER	MATERIAL	FINISH	Q.C. STAMP
3000H118A-5	.016 ±.0005 THK. BRASS PRETINNED	SEE MAT'L	YES
3000H118AB-5	.016 ±.0005 THK. BRASS	NONE	YES

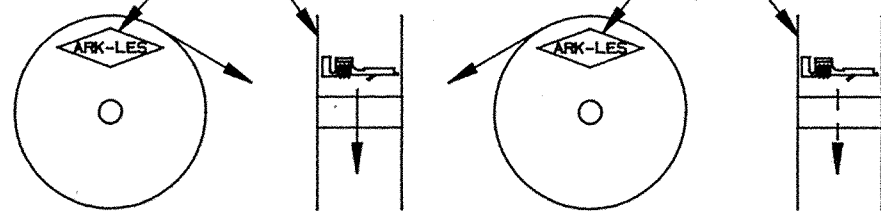
NOTES:

1. TERMINAL WILL ACCEPT STANDARD .250 X .032 MALE TAB.
2. TO ACCEPT #14-#18 GAUGE WIRE. INSULATION RANGE: .113-.171.
3. RECOMMENDED STRIP LENGTH: 7/32 ±1/32.
4. FOR LOOSE PIECE PARTS ADD -1 TO PART NUMBER.
5. FOR REVERSE REELING ADD SUFFIX "R" TO PART NUMBER AS SHOWN.



ARK-LES LETTERING THIS SIDE

ARK-LES LETTERING THIS SIDE



STANDARD REELING
(I.E. 3000H118A-5)

REVERSE REELING
(I.E. 3000H118A-5R)

REELING DIAGRAMS

ARK-LES
UNCONTROLLED

FABRICATED TERMINAL STRIP

SCALE: FULL

				PROD. REL.	RB 290	11-7-74	R.T.	TOLERANCES UNLESS OTHERWISE SPECIFIED:		
				QUOTE REL.	96634	7-25-74	R.W.	DECIMALS ±.010	METRIC ±0.25mm	ANGLES ±1°
				DR:	M. BUMILA	4-10-92		MATERIAL: SEE TABLE		
				CHK'D:	R.W.T.	4-15-92		FINISH: SEE TABLE		
				APP:	Bishop	5-15-92		PART NO: 3000H118/-5		
L	REDRAWN WITHOUT CHANGE PER ECR #9038	4-10-92	M.B.	SUPERCEDES DWG. DATED:	10-4-85					
REV.	DESCRIPTION	DATE	DR.	SCALE: 2X	CAD NO: BT00018					

ORIGINAL IF RED