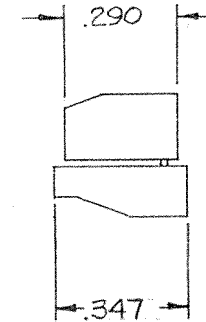
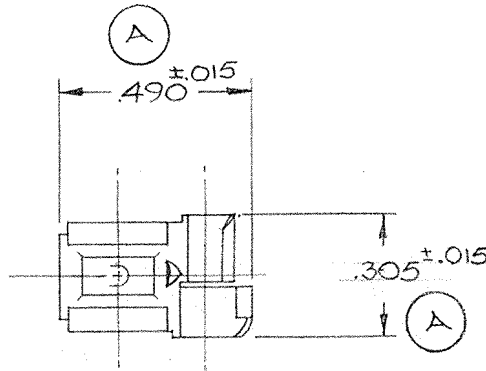
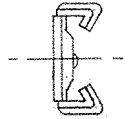


DEPT.
1
2
3
4
5
6
7
8
9
10
11
12

TERMINAL - FEMALE

3620H11CB

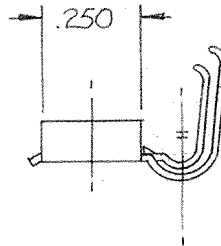
PLAIN BRASS



FOR CUSTOMER ONLY

NOTE:

1. FOR USE WITH .205 X .020 MALE TAB.
2. TO ACCOMMODATE #14-#18 GAGE WIRE.



ARK-LES
UNCONTROLLED

ORIGINAL_IF_RED

				RELEASED FOR PRODUCTION	40778	3-8-68	R.T.	TOLERANCES UNLESS OTHERWISE SPECIFIED:	
				RELEASED FOR QUOTATION	"	"	"	DECIMALS ±.010	ANGLES ±1°
				NEW DRAWING SUPERSEDES				DO NOT SCALE DRAWING	
A	.490 ±.015 WAS .470 MAX., .305 ±.015 WAS	9-10-81	A.P.	DRAWN BY R. TASTULA	MATERIAL .016 BRASS				
	.300, .362 20 105 & 106 DELETED ECR 3390			CHECKED BY R. JARVIS					
	REVISIONS	DATE	APP.	APPROVED BY	FINISH PRE-TINNED				

DATE OF DRAWING MAR. 8, 1968

SCALE 2 TO 1

DATE OF PRINT