

DEPT	
1	1
2	
3	
4	3
5	
6	
7	
8	
9	
10	
11	
12	
NC	
JZ	

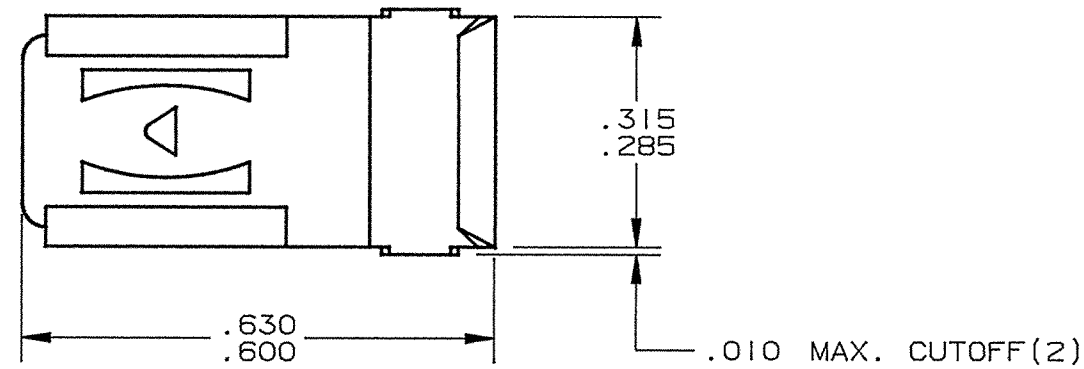
PART NAME:

FEMALE TERMINAL

PART NO:

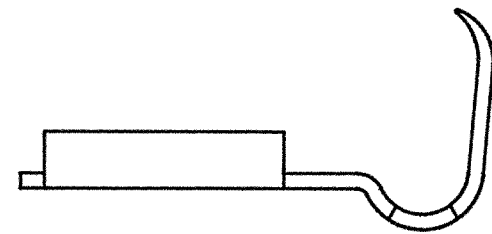
3000H604C/

PART NUMBER	MATERIAL	FINISH
3000H604C	.020±.001 THK BRASS PRETINNED	SEE MAT'L
3000H604CB	.020±.001 THK BRASS	NONE

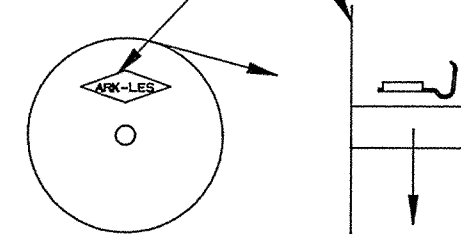


NOTES:

1. TO ACCEPT A .250 X .032 MALE TAB.
2. TO ACCOMMODATE #18-#12 GAUGE WIRE.
3. RECOMMENDED STRIP LENGTH: 11/32 ± 1/32.
4. INSERTION/WITHDRAWAL FORCES TO COMPLY WITH UL 310.
5. FOR LOOSE PIECE PARTS ADD SUFFIX "-IK1" TO PART NUMBER (i.e. 3000H604C-1K1).
6. FOR STANDARD REELING SEE FIGURE 1.
7. FOR REVERSE REELING ADD SUFFIX "R" TO PART NUMBER (i.e. 3000H604CR). SEE FIGURE 2.



ARK-LES LETTERING THIS SIDE



ARK-LES LETTERING THIS SIDE

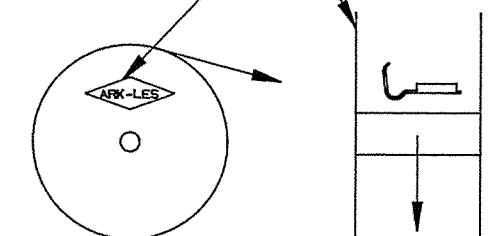
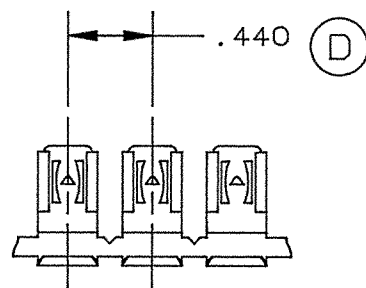


FIGURE 1
STANDARD REELING
(I.E. 3000H604C)

FIGURE 2
REVERSE REELING
(I.E. 3000H604CR)

REELING DIAGRAMS



FABRICATED TERMINAL STRIP

SCALE 1:1

ARK-LES
UNCONTROLLED

				PROD. REL.	ECR 5084	12/11/84	RT	TOLERANCES UNLESS OTHERWISE SPECIFIED:		
				QUOTE REL.				DECIMALS ±.010	METRIC ±0.25mm	ANGLES ±1°
				DR:	B J CARUTHERS	11/29/94		MATERIAL: SEE TABLE		
				CHK'D:	R.W.T.	6-23-97		FINISH: SEE TABLE		
D	REVISED PER ECR #11308	6/19/97	RT	APP:	COR	6-25-97		PART NO: 3000H604C/		
C	PROD. REL. PER ECR #10354	11/29/94	BJC	SUPERCEDES DWG. DATED:						
REV.	DESCRIPTION	DATE	DR.	SCALE: 4:1	CAD NO: BT00095					

ORIGINAL