

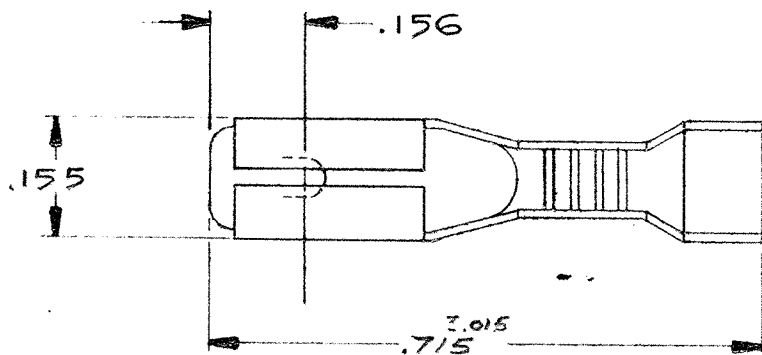
DEPT.
1
2
3
4
5
6
7
8
9
10
11
12
TOOLED

TERMINAL-FEMALE

CUSTOMER PRINT

FOR R.E.PHELON ONLY.

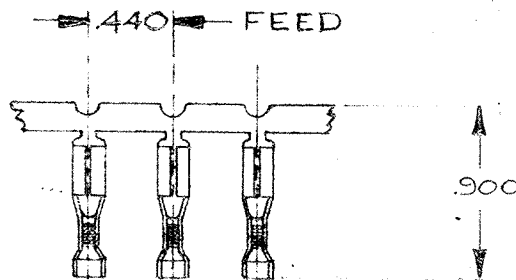
PART NO.	FINISH
3650H303A	PRE-TINNED
3650H303AB	NONE



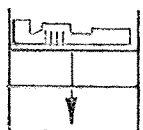
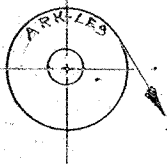
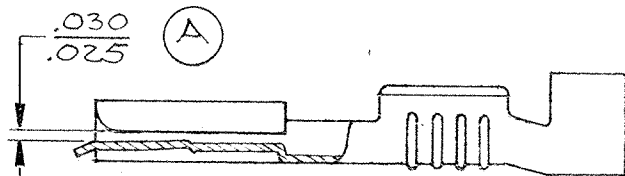
NOTE:

1. TO ACCEPT .110/.125 x .032 MALE TAB.
2. WIRE RANGE : #18 - #24  
STRIP LENGTH:  $7/32 \pm 1/32$ .
3. INSULATION RANGE : .040 - .090 DIA.
4. FOR PARTS SUPPLIED LOOSE PIECE ADD SUFFIX -1 TO PART NO.
5. 1<sup>ST</sup> INSERTION 6 LBS. MAX.

(A)



FABRICATED STRIP  
SCALE: FULL



WINDING DIAGRAM

ARK-LES  
UNCONTROLLED

				RELEASED FOR PRODUCTION	SK0888	8-12-82	R.T.	F.M.F.	TOLERANCES UNLESS OTHERWISE SPECIFIED:
				RELEASED FOR QUOTATION					DECIMALS ±.010
				NEW DRAWING SUPERSEDES					ANGLES ±1°
				DRAWN BY R. SKINNER	MATERIAL .010 ± .001				DO NOT SCALE DRAWING
A	NOTE #5 & .030/.025 ADDED	ECR 4148	9-1-82	AP	CHECKED BY RIS/R.T.				BRASS CA 260
	REVISIONS		DATE	APR.	APPROVED BY Bishop				FINISH SEE CHART ABOVE

DATE OF DRAWING 8-9-82

SCALE 4 = 1

DATE OF PRINT

ORIGINAL IF RED