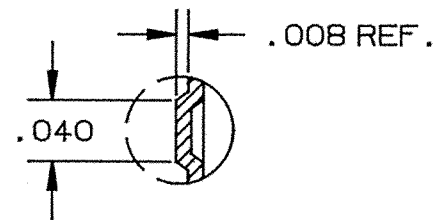
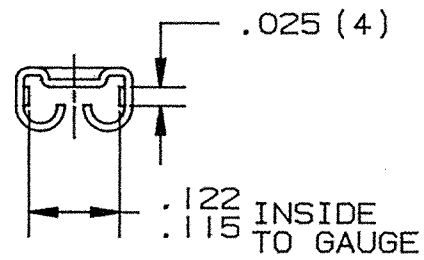


DEPT	
1	1
2	
3	
4	1
5	
6	
7	
8	
9	
10	
11	
12	
NC	
JZ	

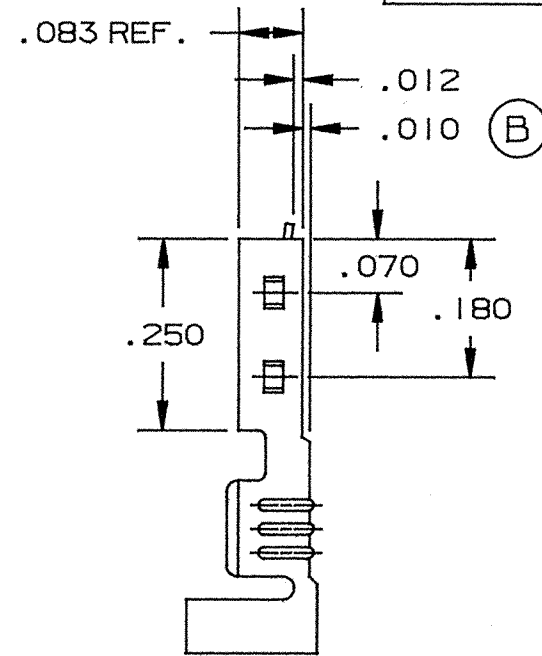
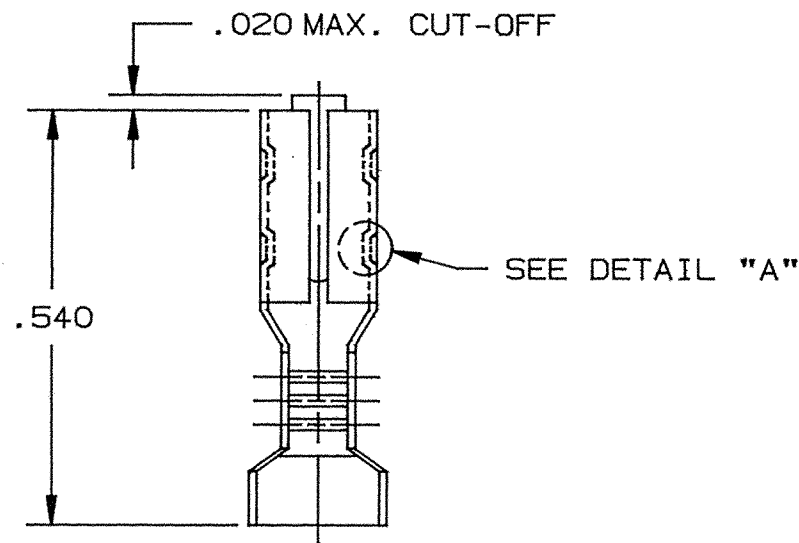
PART NAME: TERMINAL, FEMALE

PART NO: 3650H126/

PART NUMBER	MATERIAL	FINISH
3650H126A	.010 ±.0005 THK. BRASS FULL HARD TEMPER	PRETINNED
3650H126AB	.010 ±.0005 THK. BRASS FULL HARD TEMPER	NONE

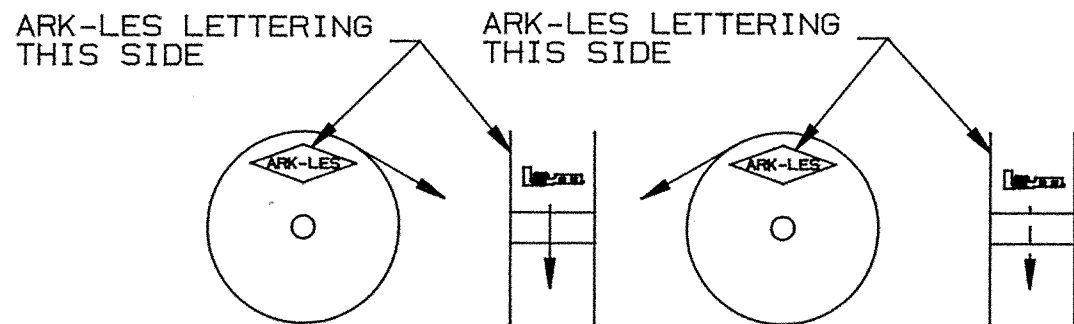


DETAIL "A"
TYPICAL 4 PLACES



ARK-LES
UNCONTROLLED

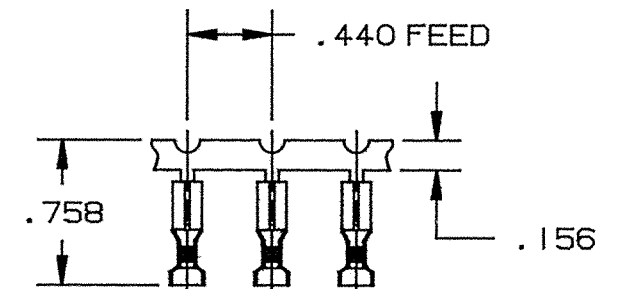
- NOTES:
- MUST ACCEPT MALE TAB .110 ±.003 X .020 ±.001.
 - WIRE RANGE: #16-#20 AWG.
 - INSULATION RANGE: .075-.125 DIA.
 - RECOMMENDED STRIP LENGTH: 5/32 ±1/32.



STANDARD REELING
(I.E. 3650H126A)

REVERSE REELING
(I.E. 3650H126AR)

REELING DIAGRAMS



FABRICATED TERMINAL STRIP

SCALE: FULL

			PROD. REL.	JJ6623	7-16-92	R.T.	TOLERANCES UNLESS OTHERWISE SPECIFIED:
			QUOTE REL.				DECIMALS ±.010 METRIC ±0.25mm ANGLES ±1°
			DR:	M. BUMILA	11-12-92		MATERIAL: SEE TABLE
			CHK'D:	R.W.T.	11-13-92		FINISH: SEE TABLE
B	REVISED & REDRAWN PER ECR #9260	11-12-92	M.B.	SUPERCEDES DWG. DATED:	5-26-92		PART NO: 3650H126/
REV.	DESCRIPTION	DATE	DR.	SCALE: 4X	CAD NO: BUM0005		

ORIGINAL IF RED