

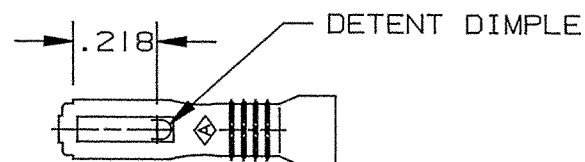
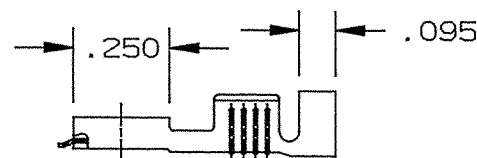
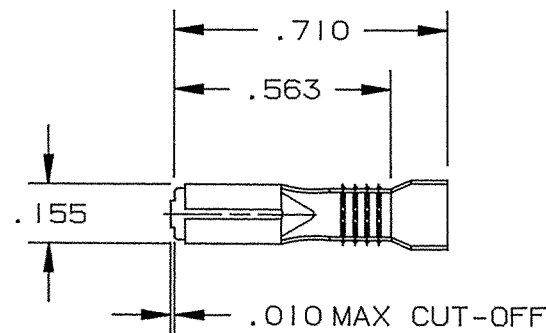
DEPT	I
1	
2	
3	
4	I
5	
6	
7	
8	
9	
10	
11	
12	
NC	
JZ	

PART NAME:

TERMINAL, FEMALE

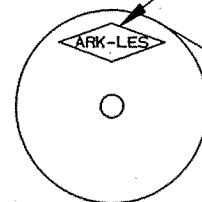
PART NO:

3650H124A/

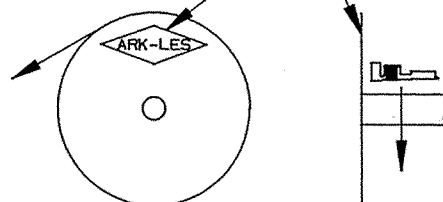


ARK-LES LETTERING THIS SIDE

ARK-LES LETTERING THIS SIDE



STANDARD REELING
(I.E. 3650H124A)



REVERSE REELING
(I.E. 3650H124AR)

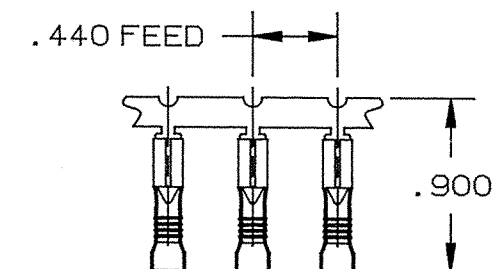
REELING DIAGRAMS

PART NUMBER	MATERIAL	FINISH	MATING MALE TAB
3650H124A	.010 ±.0005 THICK BRASS C26000, FULL HARD PRETINNED	SEE MAT'L	.110 .125 X .032
3650H124AB	.010 ±.0005 THICK BRASS C26000, FULL HARD	NONE	.110 .125 X .032

(B)

NOTES:

1. WIRE RANGE: #14-#18 AWG.
2. RECOMMENDED STRIP LENGTH: 7/32 ±1/32.
3. INSULATION RANGE: .075-.125 DIA.
4. FOR LOOSE PIECE PARTS ADD "-1" TO PART NUMBER. (I.E. 3650H124A-1)
5. FOR REVERSE REELING ADD SUFFIX "R" TO PART NUMBER AS SHOWN.



FABRICATED TERMINAL STRIP

SCALE: FULL

ARK-LES
UNCONTROLLED

			PROD. REL.	JM 3190	9/29/93	RT	TOLERANCES UNLESS OTHERWISE SPECIFIED:
			QUOTE REL.				DECIMALS ±.010 METRIC ±0.25mm ANGLES ±1°
			DR:	B J CARUTHERS	9/24/93		MATERIAL: SEE TABLE
			CHK'D:	R.W.T.	12-8-94		FINISH: SEE TABLE
B	NOTE DELETED PER ECR #10392	12/7/94	RT	APP: COL	12-9-94		PART NO: 3650H124A/
A	PROD. REL. PER ECR #9766	9/24/93	BJC	SUPERCEDES DWG. DATED:			
REV.	DESCRIPTION	DATE	DR.	SCALE: 2:1	CAD NO: BUM0015		

ORIGINAL IF RED