

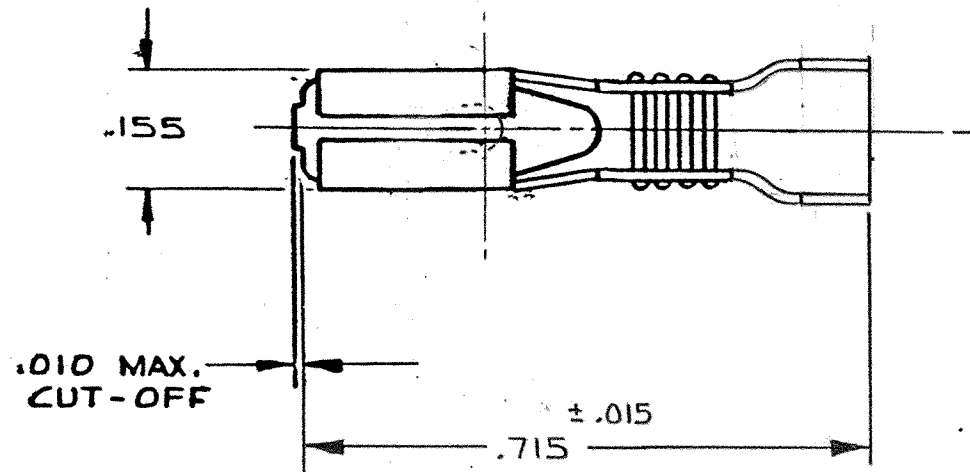
DEPT	1
1	1
2	
3	
4	1
5	
6	
7	
8	
9	
10	
11	
12	
ME	

PART NAME:

TERMINAL - FEMALE

PART NO. 3650H122A/

PART NO.	MATERIAL	FINISH
3650H122A	.010 THICK BRASS	PRETINNED
3650H122AB		NONE



NOTES:

1. TO MATE WITH .125/110 X .020 THICK MALE TAB
2. TO ACCOMMODATE #16-#18 AWG.
3. RECOMMENDED STRIP LENGTH: 7/32 ± 1/32.
4. FOR TERMINALS LOOSE PIECE ADDED SUFFIX -1 TO PART NO. (I.E. 3650H122AB)
5. FOR STANDARD REELING SEE FIGURE 1.
6. FOR REVERSE REELING ADD SUFFIX "R" TO PART NO. (I.E. 3650H122ABR) SEE FIGURE 2.
7. INSERTION WITHDRAWAL REQUIREMENTS TO COMPLY TO NEMA DC2-19 XX AND UL310.

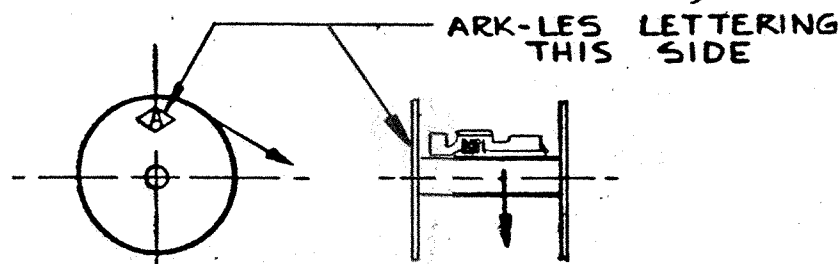
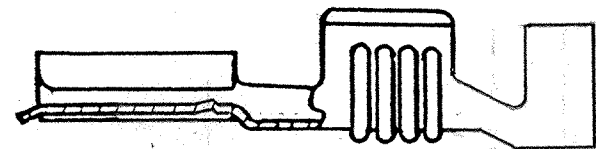


FIGURE 1

STANDARD REELING

(I.E. 3650H122AB)

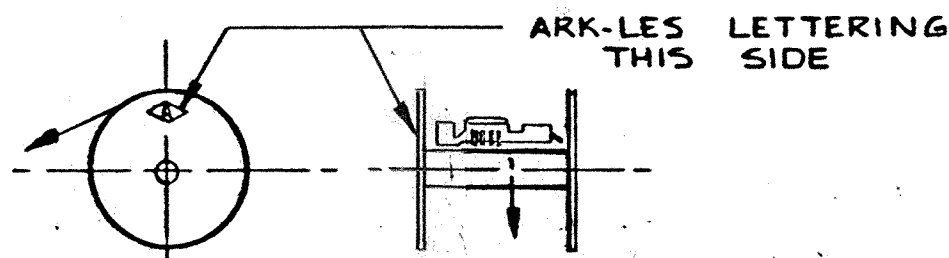
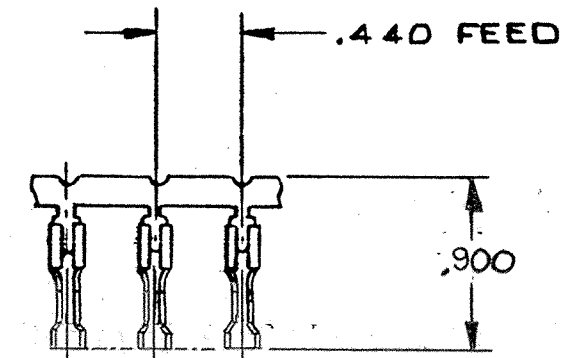


FIGURE 2

REVERSE REELING

(I.E. 3650H122ABR)



FABRICATED TERMINAL STRIP

SCALE: 1X

ARK-LES UNCONTROLLED

ORIGINAL IF RED

PROD. REL.	DH2373	7-6-88	RT.	TOLERANCES UNLESS OTHERWISE SPECIFIED:		
QUOTE REL.	DW63569	5-24-88	COR	DECIMALS ±.010	METRIC ± 0.25mm	ANGLES ± 1°
DR.:	P.J.P.	6-29-88		MATERIAL: SEE TABLE		
CHK'D.	R.W.T./COR.	6-30-88		FINISH: SEE TABLE		
A	PRDD. REL. P/N WAS 3650HX42A/	6-29-88	PJP	PART NO.: 3650H122A/		
	ECR 6929					
REV.	DESCRIPTION	DATE	DR.	SCALE: 4X	F.M.F.	