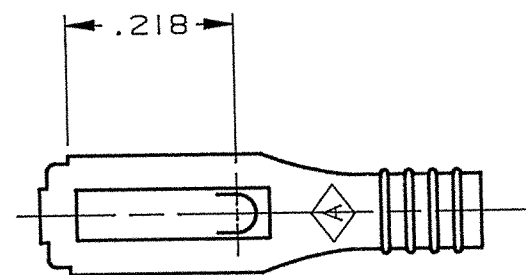
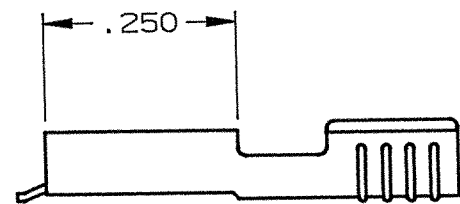
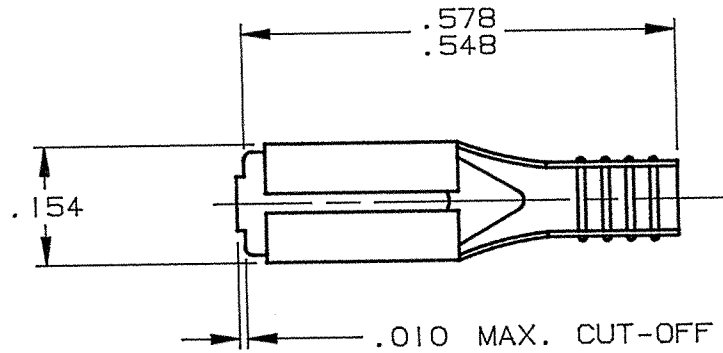


DEPT	
1	1
2	
3	
4	3
5	
6	
7	
8	
9	
10	
11	
12	
NC	
JZ	

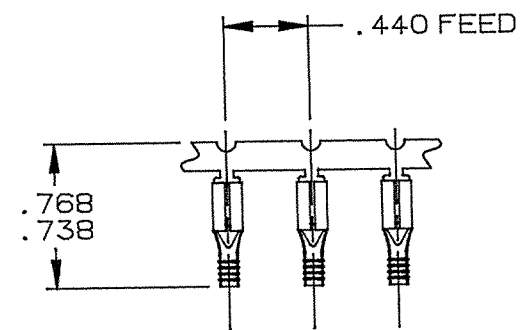
PART NAME: FEMALE TERMINAL

PART NO: 3650H102A/-2

PART NO.	MATERIAL	FINISH
3650H102A-2	.010 BRASS	PRETINNED
3650H102AB-2	.010 BRASS	NONE



- NOTES:
- MUST ACCEPT MALE TAB .110/.125 X .020.
  - WIRE RANGE: #18-#24 AWG.
  - FOR REVERSE REELING ADD SUFFIX "R" TO PART NUMBER (i.e. 3650H102A-2R).
  - FOR LOOSE PIECE PARTS ADD "-1" TO PART NUMBER (i.e. 3650H102A-2-1).
  - RECOMMENDED STRIP LENGTH: 7/32 ± 1/32.



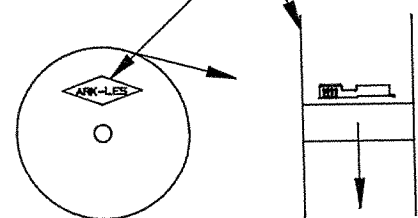
FABRICATED TERMINAL STRIP

SCALE 1=1

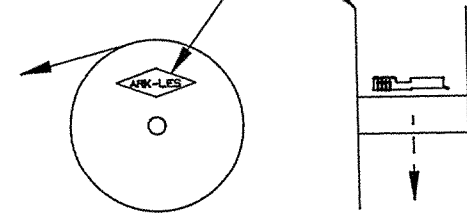
ARK-LES UNCONTROLLED

ARK-LES LETTERING THIS SIDE

ARK-LES LETTERING THIS SIDE



STANDARD REELING (I.E. 3650H102A-2)



REVERSE REELING (I.E. 3650H102A-2R)

REV.	DESCRIPTION	DATE	DR.	SCALE: 4=1	CAD NO: BUM0022	TOLERANCES UNLESS OTHERWISE SPECIFIED: DECIMALS ±.010 METRIC ±0.25mm ANGLES ±1°
T	REVISED & REDRAWN PER ECR •11590	9/1/98	RT	PROD. REL. DG 236 9/3/74 RW	QUOTE REL. PER DG 1/29/74 PC	MATERIAL: SEE TABLE
				DR: R. TASTULA 9/1/98	CHK'D: R.W.T. 9-8-98	FINISH: SEE TABLE
				APP: BISHOP 9-14-98	SUPERCEDES DWG. DATED: 9/9/88	PART NO: 3650H102A/-2

ORIGINAL IF RED