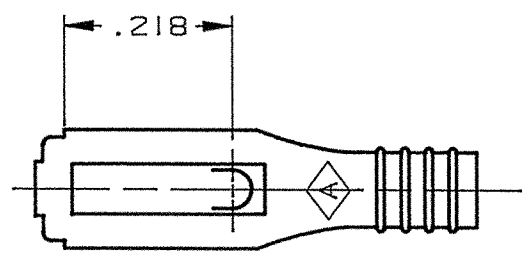
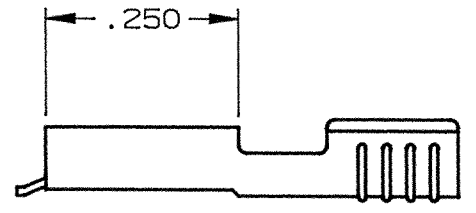
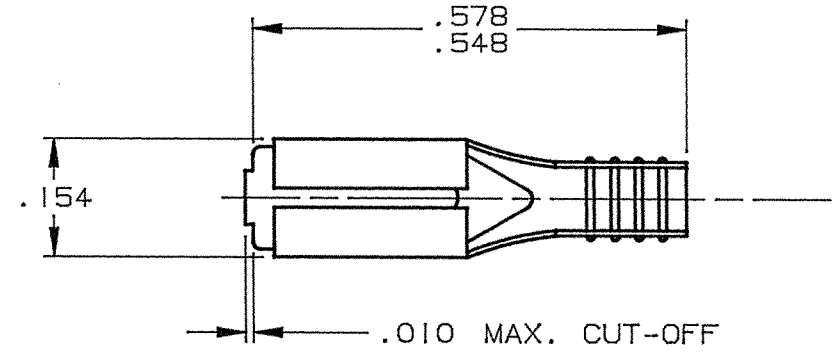


DEPT	
1	1
2	
3	
4	3
5	
6	
7	
8	
9	
10	
11	
12	
NC	
JZ	

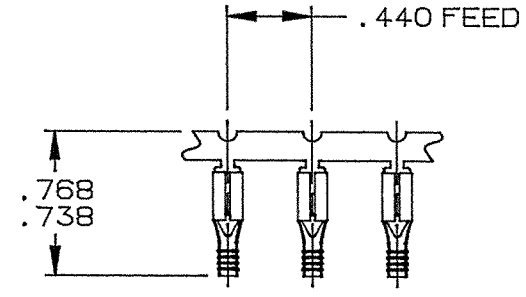
PART NAME: FEMALE TERMINAL

PART NO: 3650H101A/-2

PART NO.	MATERIAL	FINISH
3650H101A-2	.010 BRASS	PRETINNED
3650H101AB-2	.010 BRASS	NONE

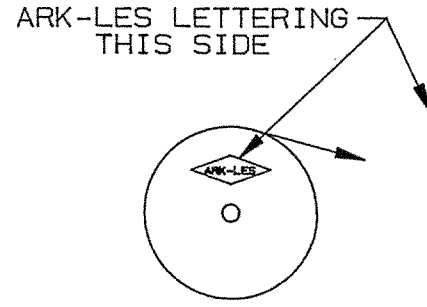


- NOTES:
- MUST ACCEPT MALE TAB .110/.125 X .014.
 - WIRE RANGE: #18-#24 AWG.
 - FOR REVERSE REELING ADD SUFFIX "R" TO PART NUMBER (i.e. 3650H101A-2R).
 - FOR LOOSE PIECE PARTS ADD "-1" TO PART NUMBER (i.e. 3650H101A-2-1).
 - RECOMMENDED STRIP LENGTH: 7/32 ± 1/32.

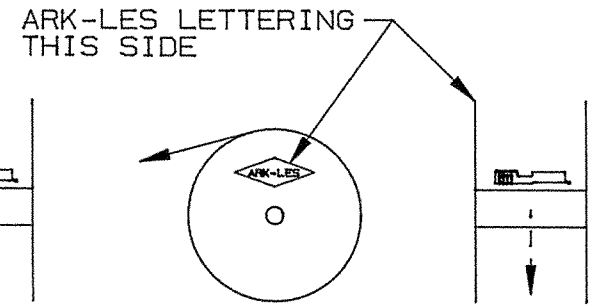


FABRICATED TERMINAL STRIP

SCALE 1=1



STANDARD REELING
(I.E. 3650H101A-2)



REVERSE REELING
(I.E. 3650H101A-2R)

ARK-LES
UNCONTROLLED

PROD. REL.	PER DG	10/3/74	RW	TOLERANCES UNLESS OTHERWISE SPECIFIED:
QUOTE REL.				DECIMALS ±.010 METRIC ±0.25mm ANGLES ±1°
DR: R. TASTULA		9/1/98		MATERIAL: SEE TABLE
CHK'D: R.W.T.		9-8-98		FINISH: SEE TABLE
APP: <i>Bisly</i>		9-14-98		PART NO: 3650H101A/-2
P REVISED & REDRAWN PER ECR #11590	9/1/98	RT	SUPERCEDES DWG. DATED: 3/2/87	
REV.	DESCRIPTION	DATE	DR.	SCALE: 4=1 CAD NO: BUM0020