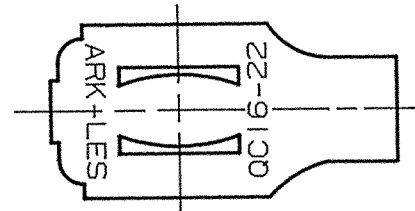
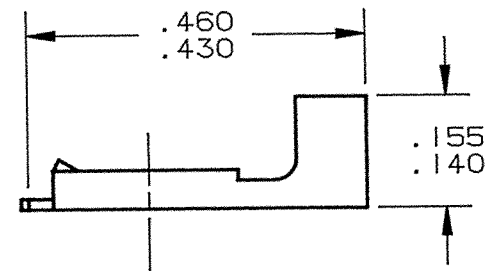
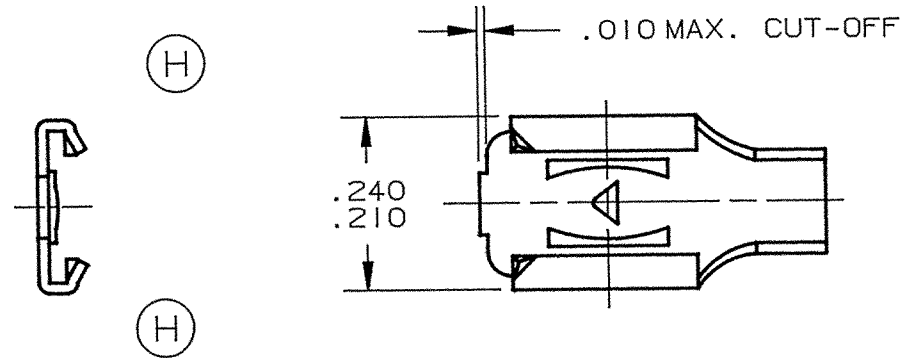


DEPT	
1	1
2	
3	
4	3
5	
6	
7	
8	
9	
10	
11	
12	
NC	
JZ	

PART NAME: FEMALE TERMINAL

PART NO: 3500H101A/-2

PART NUMBER	MATERIAL	FINISH	Q.C. STAMP
3500H101A-2	.014 ±.001 TH'K BRASS	PRETINNED	YES
3500H101AB-2	.014 ±.001 TH'K BRASS	NONE	YES
3500H101J-2	.015 ±.001 TH'K C.R.S.	NICKEL PLATE	NO
3500H101JB-2	.015 ±.001 TH'K C.R.S.	NONE	NO

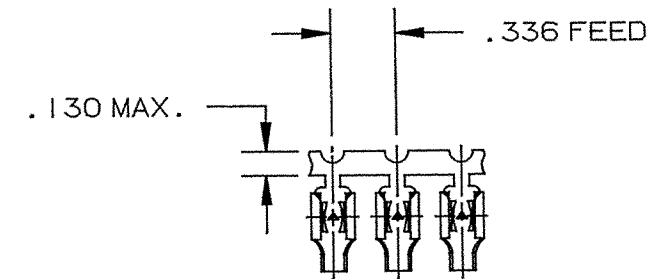


NOTES:

- TO ACCEPT .187 X .020 MALE TAB.
- TO ACCOMMODATE #16-#22 GAUGE WIRE.
- RECOMMENDED STRIP LENGTH: 5/32 ±1/32.
- FOR TERMINALS LOOSE PIECE ADD SUFFIX "-1" TO PART NUMBER (I.E. 3500H101A-2-1).
- FOR REVERSE REELING ADD SUFFIX "R" TO PART NUMBER (I.E. 3500H101A-2R).
- FOR TERMINALS LESS DIMPLE ADD SUFFIX "-3" TO PART NUMBER (I.E. 3500H101A-2-3).
- INSERTION/WITHDRAWAL FORCES TO BE AS FOLLOWS WHEN USING MALE TEST TAB CS3500M-6:
 

1ST INSERTION:	12.0 LBS MAX.	
	6.0 LBS MIN.	
1ST WITHDRAWAL:	20.0 LBS MAX.	
	5.0 LBS MIN.	AVERAGE
	3.0 LBS MIN.	INDIVIDUAL
6TH WITHDRAWAL:	3.0 LBS MIN.	AVERAGE
	2.0 LBS MIN.	INDIVIDUAL

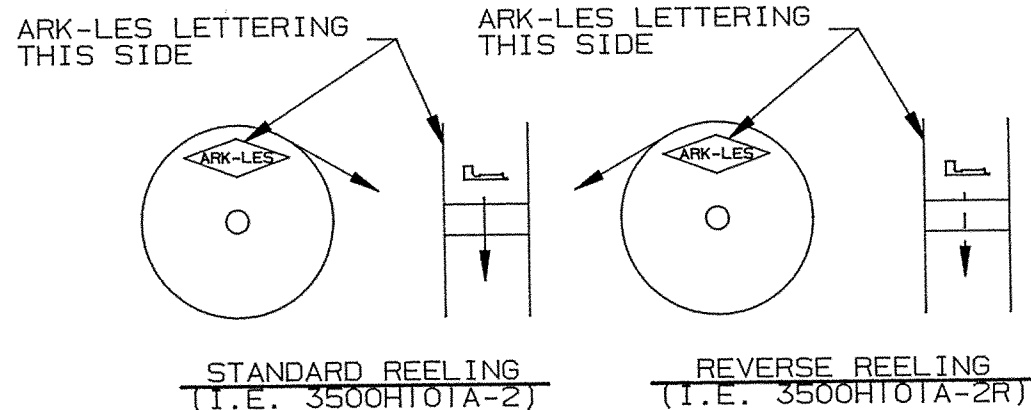
(H)



FABRICATED TERMINAL STRIP

SCALE: FULL

ARK-LES UNCONTROLLED



REELING DIAGRAMS

			PROD. REL.	LL 0403	5/3/77	JJB	TOLERANCES UNLESS OTHERWISE SPECIFIED:
			QUOTE REL.				DECIMALS ±.010   METRIC ±0.25mm   ANGLES ±1°
			DR:	R. TASTULA	5/11/95		MATERIAL: SEE TABLE
			CHK'D:	R.W.T.	5-15-95		FINISH: SEE TABLE
			APP:	cor	9-23-95		PART NO: 3500H101A/-2
H	REVISED & REDRAWN PER ECR •10434	5/11/95	RT	SUPERCEDES DWG. DATED:	4/5/93		
REV.	DESCRIPTION	DATE	DR.	SCALE: 4:1	CAD NO: BTU0017		

ORIGINAL IF RED