

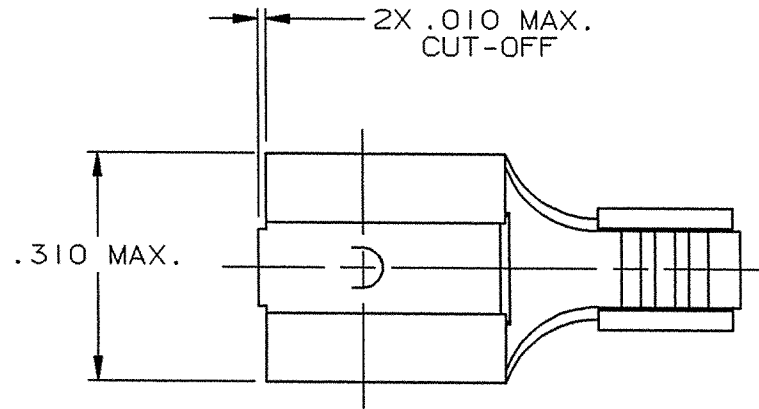
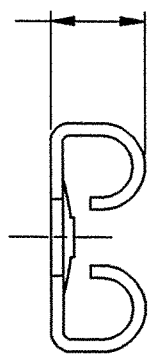
|      |   |
|------|---|
| DEPT |   |
| 1    | 1 |
| 2    |   |
| 3    |   |
| 4    | 2 |
| 5    |   |
| 6    |   |
| 7    |   |
| 8    |   |
| 9    |   |
| 10   |   |
| 11   |   |
| 12   |   |
| NC   |   |
| JZ   |   |

PART NAME: FEMALE TERMINAL

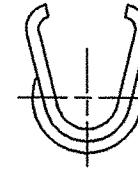
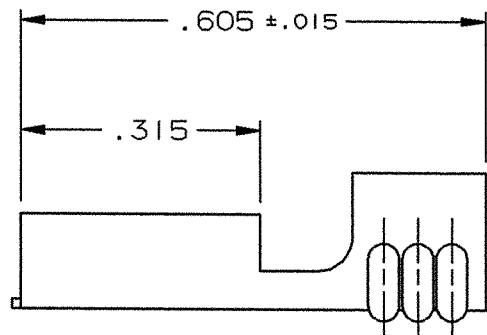
PART NO: 3000H 222J-5-2

| PART NO.       | MATERIAL               | FINISH                        |
|----------------|------------------------|-------------------------------|
| 3000H 222J-5-2 | .016 ±.001 C. R. STEEL | PRE-NICKEL PLATE (LOW STRESS) |

.135 MAX.



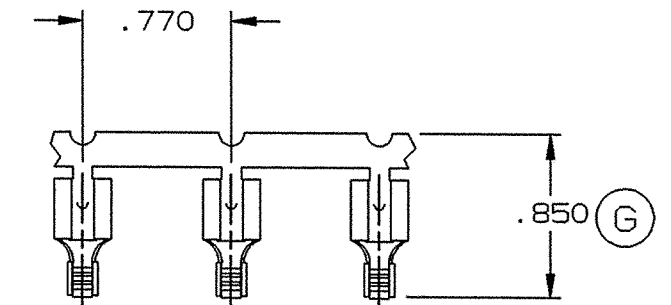
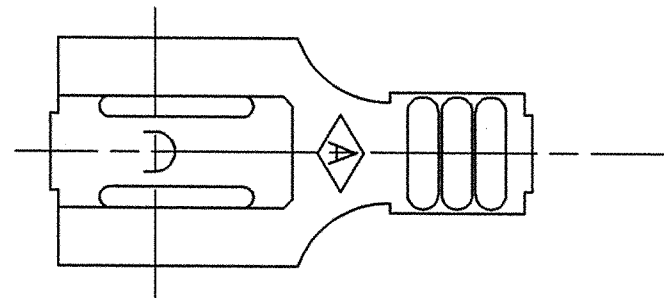
(G)



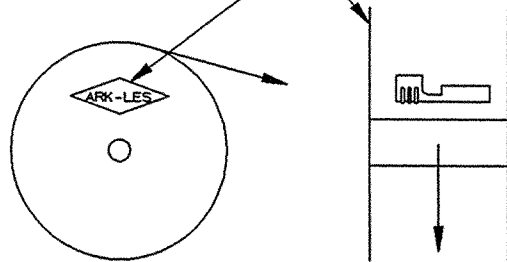
WIRE GRIP

NOTES:

1. TO ACCEPT A .250 X .032 MALE TAB.
2. TO ACCEPT #14 - #18 AWG.
3. RECOMMENDED STRIP LENGTH: 9/32 ±1/32.
4. INSERTION/WITHDRAWAL FORCES:  
 1ST INSERTION: 7-13 LBS.  
 6TH WITHDRAWAL: 6 LBS. MIN.
5. FOR PARTS LOOSE PIECE ADD SUFFIX "-1" TO PART NUMBER. (i.e. 3000H 222-5-2-1).



ARK-LES LETTERING THIS SIDE



STANDARD REELING

ARK-LES UNCONTROLLED

FABRICATED TERMINAL STRIP

SCALE: FULL

|      |                                  |         |            |                        |                 |    |  |                |            |
|------|----------------------------------|---------|------------|------------------------|-----------------|----|--|----------------|------------|
|      |                                  |         | PROD. REL. | DH 1963                | 5/18/85         | RT | TOLERANCES UNLESS OTHERWISE SPECIFIED: |                |            |
|      |                                  |         | QUOTE REL. |                        |                 |    | DECIMALS ±.010                         | METRIC ±0.25mm | ANGLES ±1° |
|      |                                  |         | DR:        | R. TASTULA             | 6/14/02         |    | MATERIAL: SEE TABLE                    |                |            |
|      |                                  |         | CHK'D:     | R.W.T.                 | 6-25-02         |    | FINISH: SEE TABLE                      |                |            |
|      |                                  |         | APP:       | <i>Jin Shifer</i>      | 7-22-02         |    | PART NO: 3000H 222J-5-2                |                |            |
| G    | REVISED & REDRAWN PER ECR #12304 | 6/14/02 | RT         | SUPERCEDES DWG. DATED: | 5/31/85         |    |  |                |            |
| REV. | DESCRIPTION                      | DATE    | DR.        | SCALE: 4:1             | CAD NO: BT00121 |    |  |                |            |

ORIGINAL IF RED