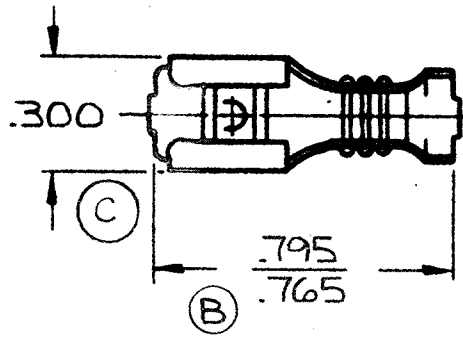


DEPT	PART NAME	PART NO.
1 1	TERMINAL-FEMALE	3000H129AC-6
2		
3		
4 1		
5		
6		
7		
8		
9		
10		
11		
12		
ME		
42 1		

PART NO.	MAT'L	FINISH	QC STAMP
3000H129AC-6	.016 THK. BRASS	COMM. SILVER PLATE	YES



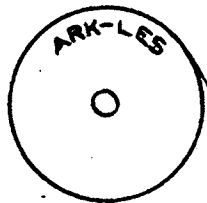
NOTES:

- (B) 1. TO FIT STANDARD .250 X .032 MALE TAB.
- 2. RECOMMENDED STRIP LENGTH: 7/32 ± 1/32
- 3. TERMINAL TO ACCOMMODATE 18-24 GAUGE WIRE. (ON 3000H129AC-6 U.L. RECOGNIZED 18-22 GAUGE WIRE.)
- 4. INSULATION RANGE: .059-.113



(B)

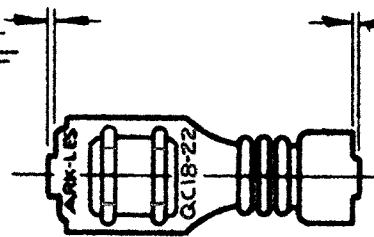
ARK-LES THIS SIDE



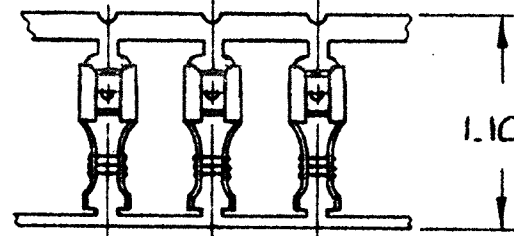
WINDING DIAGRAM

.010 MAX. CUT OFF

.010 MAX. CUT OFF



.540 FEED



1.100 (B)

ARK-LES

FABRICATED TERMINAL STRIP

UNCONTROLLED

SCALE: FULL

			PROD. REL.	8-1-78	ECR1668	R.T.	TOLERANCES UNLESS OTHERWISE SPECIFIED:		
			QUOTE REL.				DECIMALS ± .010	METRIC ± 0.25 mm	ANGLES ± 1°
			DR.	C. O'Keefe OCT-30-85			MATERIAL: SEE TABLE		
			CHK'D.	R.W.T. 11-7-85			FINISH: SEE TABLE		
C	ECR 5579	12-31-85	PJP	APP: R.W.T. 11-7-85			PART NO. 3000H129AC-6		
B	REV. & REDRAWN; ECR 5499C	10/30/85	COR	SUPERSEDES DWG. DATED: 7-6-78					
REV.	DESCRIPTION	DATE	DR	SCALE: RW	F.M.F.				

ORIGINAL IF RED