

# ARK-LES CORPORATION

WATERTOWN, MASS.

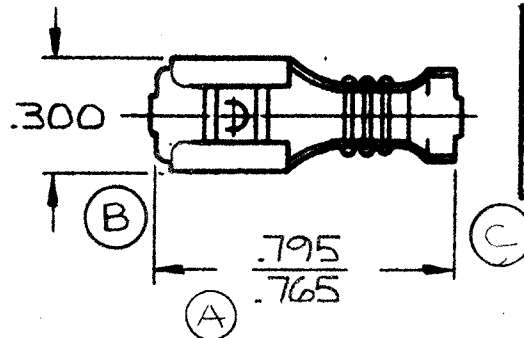
CUSTOMER DRAWING

DEPT	
1	1
2	
3	
4	1
5	
6	
7	
8	
9	
10	
11	
12	
ME	
42	4

PART NAME: TERMINAL-FEMALE

PART NO. 3000H129/-5

PART NO.	MAT'L	FINISH	QC STAMP
3000H129AC-5	.016 THK. BRASS	COMM. SILVER PLATE	YES



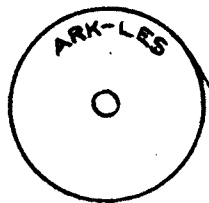
NOTES:

- (A) 1. TO FIT STANDARD .250 X .032 MALE TAB.
- (A) 2. RECOMMENDED STRIP LENGTH:  $7/32 \pm 1/32$
- 3. TERMINAL TO ACCOMMODATE 14-18 GAUGE WIRE.



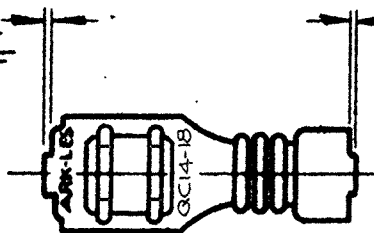
4. INSULATION RANGE: .113-.171

ARK-LES THIS SIDE

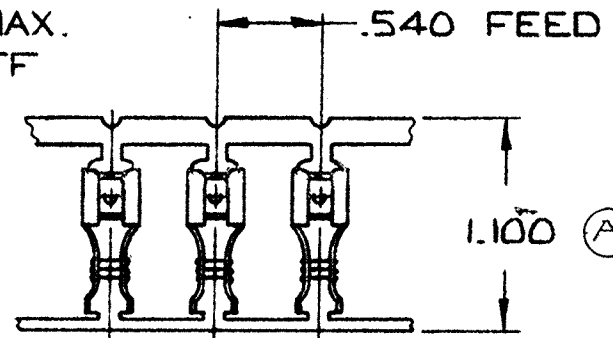


WINDING DIAGRAM

.010 MAX. CUT OFF



.010 MAX. CUT OFF



ARK-LES

FABRICATED TERMINAL STRIP

UNCONTROLLED

SCALE: FULL

				PROD. REL.	8-1-78	ECR1668	RT.	TOLERANCES UNLESS OTHERWISE SPECIFIED :		
				QUOTE REL.				DECIMALS ± .010	METRIC ± 0.25 mm	ANGLES ± 1°
				DR.:	C. O'Reilly OCT-31-85			MATERIAL: SEE TABLE		
				CHK'D.:	R.W.T. 11-7-85			FINISH: SEE TABLE		
				APP.:	R.W.T. 11-7-85			PART NO. 3000H129/-5		
				SUPERSEDES DWG. DATED:	6-7-78					
REV.	DESCRIPTION	DATE	DR.	SCALE:	F.M.F.					

ORIGINAL IF RED