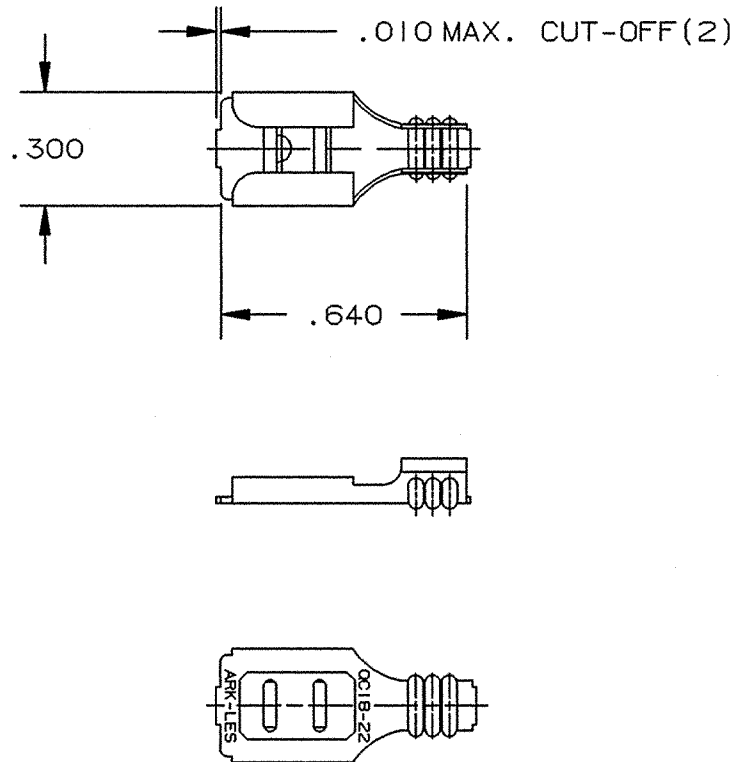


DEPT	
1	1
2	
3	
4	2
5	
6	
7	
8	
9	
10	
11	
12	
NC	
JZ	

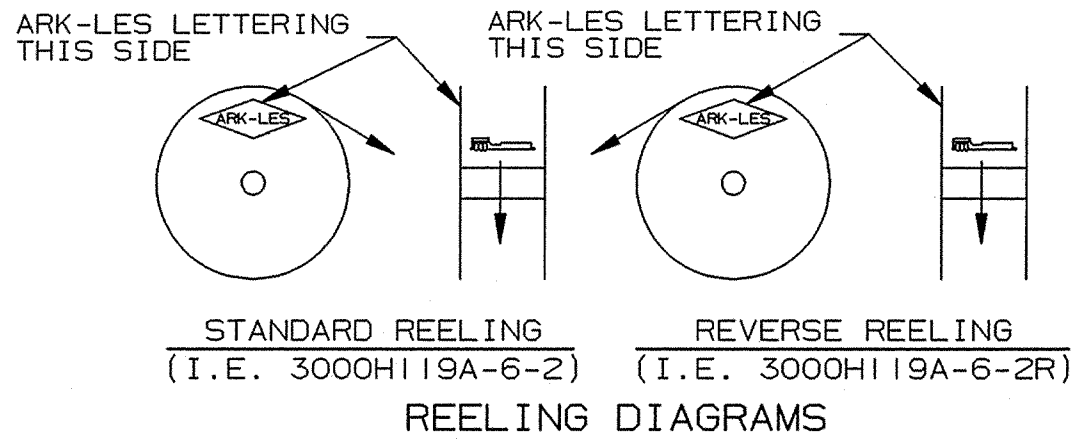
PART NAME: FEMALE TERMINAL

PART NO: 3000H119/-6-2

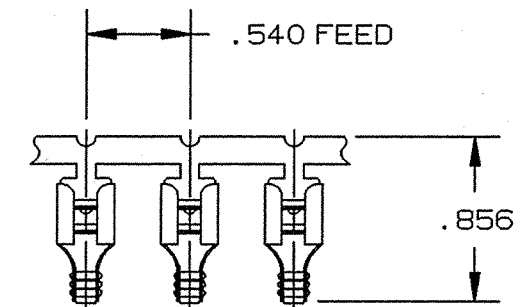
PART NUMBER	MATERIAL	FINISH	Q.C. STAMP
3000H119A-6-2	.016 ±.0005 THK. BRASS PRETINNED	SEE MAT'L	YES
3000H119AB-6-2	.016 ±.0005 THK. BRASS	NONE	YES



- NOTES:
1. TERMINAL WILL ACCEPT STANDARD .250 X .032 MALE TAB.
 2. TO ACCEPT #18-#22 GAUGE WIRE.
 3. RECOMMENDED STRIP LENGTH: 7/32 ± 1/32.
 4. FOR LOOSE PIECE PARTS ADD -1 TO PART NUMBER.
 5. FOR REVERSE REELING ADD SUFFIX "R" TO PART NUMBER AS SHOWN.
 6. FOR PAPER INTERLEAVING ADD SUFFIX "K" TO PART NUMBER. (I.E. 3000H119A-6-2K).



ARK-LES
UNCONTROLLED



FABRICATED TERMINAL STRIP

SCALE: FULL

			PROD. REL.	94143	10/1/73	PC	TOLERANCES UNLESS OTHERWISE SPECIFIED:		
			QUOTE REL.				DECIMALS ±.010	METRIC ±0.25mm	ANGLES ±1°
			DR:	R. TASTULA	1/15/01		MATERIAL: SEE TABLE		
			CHK'D:	R.W.T.	1-19-01		FINISH: SEE TABLE		
			APP:	BISHOP	3-29-01		PART NO: 3000H119/-6-2		
R	REVISED PER ECR #12128	1/15/01	RT	SUPERCEDES DWG. DATED: 5/12/92					
REV.	DESCRIPTION	DATE	DR.	SCALE: 2:1	CAD NO: BT00027				

ORIGINAL IF RED