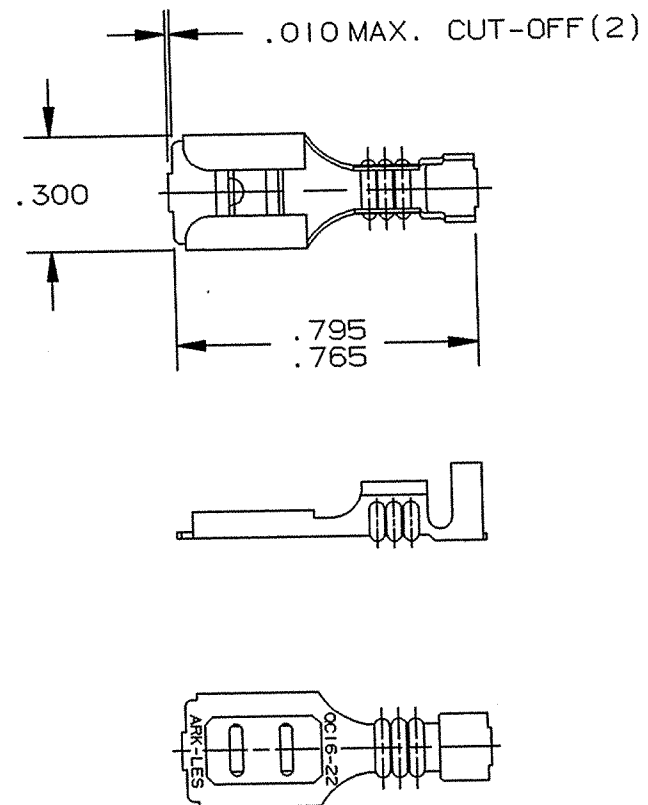


DEPT	
1	1
2	
3	
4	2
5	
6	
7	
8	
9	
10	
11	
12	
NC	
JZ	

PART NAME: FEMALE TERMINAL

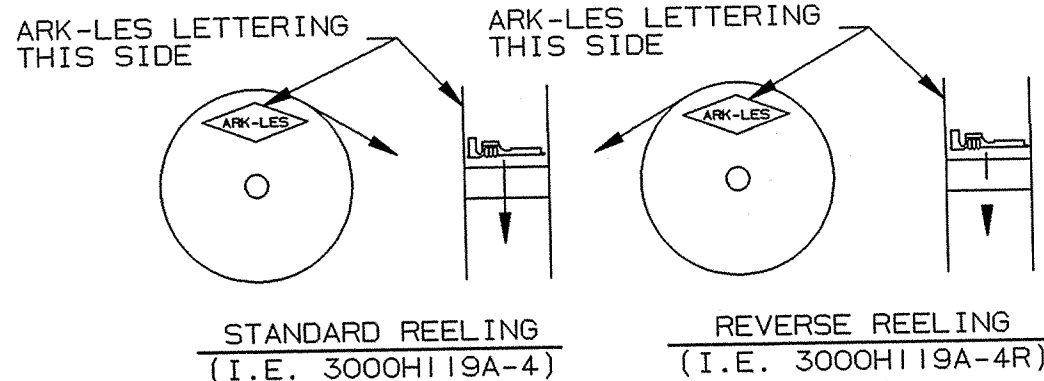
PART NO: 3000H119/-4

PART NUMBER	MATERIAL	FINISH	Q.C. STAMP
3000H119A-4	.016 ±.0005 THK. BRASS PRETINNED	SEE MAT'L	YES
3000H119AB-4	.016 ±.0005 THK. BRASS	NONE	YES

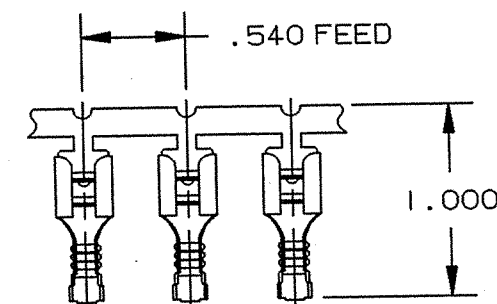


- NOTES:
1. TERMINAL WILL ACCEPT STANDARD .250 X .032 MALE TAB.
 2. TO ACCEPT #16-#22 GAUGE WIRE.
INSULATION RANGE: .075-.125 DIA.
 3. RECOMMENDED STRIP LENGTH: 7/32 ±1/32.
 4. FOR LOOSE PIECE PARTS ADD -1 TO PART NUMBER.
 5. FOR REVERSE REELING ADD SUFFIX "R" TO PART NUMBER AS SHOWN.
 6. FOR PAPER INTERLEAVING ADD SUFFIX "K" TO PART NUMBER (I.E. 3000H119A-4K).

(K)



REELING DIAGRAMS



FABRICATED TERMINAL STRIP

SCALE: FULL

ARK-LES
UNCONTROLLED

REV.	DESCRIPTION	DATE	DR.	SCALE: 2:1	CAD NO: BT00022	PART NO: 3000H119/-4	
K	REVISED PER ECR #12128	1/12/01	RT				
				PROD. REL.	PER JB	6/19/75	PC
				QUOTE REL.			
				DR: R. TASTULA	1/12/01		
				CHK'D: R.W.T.	1-19-01		
				APP: Bishop	3-29-01		
				SUPERCEDES DWG. DATED: 5/6/92			

ORIGINAL IF RED