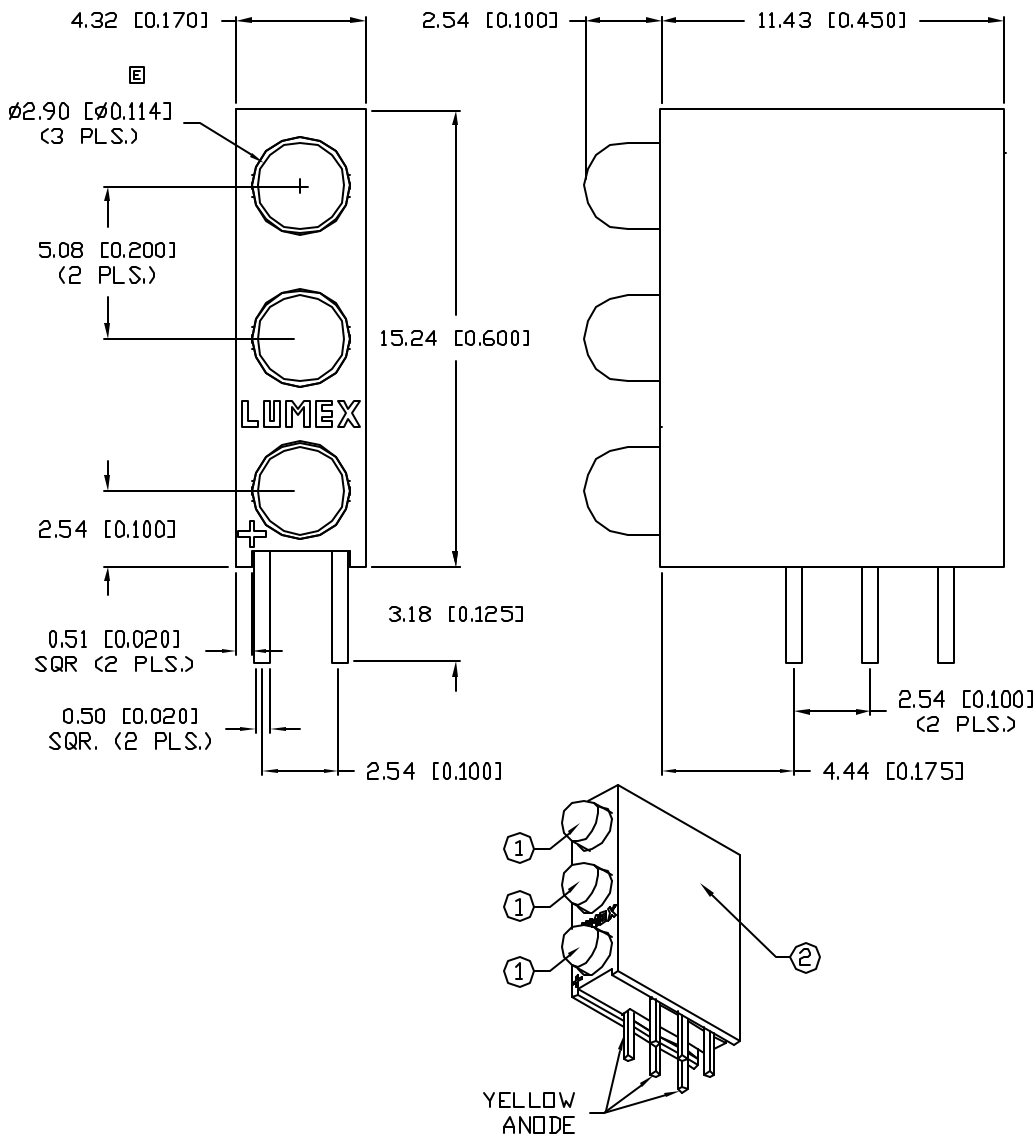


UNCONTROLLED DOCUMENT



*UNLESS OTHERWISE SPECIFIED TOLERANCES PER DECIMAL PRECISION ARE: X=±1 (±0.039), XX=±0.5 (±0.020), XXX=±0.25 (±0.010), XXXX=±0.127 (±0.005), LEAD SIZE=±0.05 (±0.002), LEAD LENGTH=±0.75 (±0.030), MIN= +DECIMAL PRECISION -0.00, MAX.= +0.00 -DECIMAL PRECISION

PART NUMBER
SSF-LXH340YYYD

REV.
E

REV.	E.C.N. NUMBER AND REVISION COMMENTS	DATE
A	CHANGED LEAD LENGTHS./	8/9/93
B	CHANGED LEAD LENGTHS./	8/30/93
C	CHG'D. SOLDER TEMPS & STAND-OFF/	8/15/94
D	CHG'D STANDOFF, UPDATED SPECS./	3/6/95
E	E.C.N. #10244.	9/23/96

ELECTRO-OPTICAL CHARACTERISTICS TA=25°C If=20mA

PARAMETER	YELLOW	UNITS	TEST COND
PEAK WAVELENGTH	585	nm	
FORWARD VOLTAGE (TYP.)	2.1	Vf	
FORWARD VOLTAGE (MAX.)	2.5	Vf	
REVERSE VOLTAGE	5.0	Vr	If=100µA
AXIAL INTENSITY	30	mcd	If=20mA
VIEWING ANGLE	60	2x theta	

EPOXY LENS FINISH: YELLOW DIFFUSED

LIMITS OF SAFE OPERATION AT 25°C PER DIE

PARAMETER	COLORS	MAX	UNITS
PEAK FORWARD CURRENT*		150	mA
STEADY CURRENT		30	mA
POWER DISSIPATION		105	mW
DERATE FROM 25°C		-1.2	mW/°C
OPERATING, STORAGE TEMP.		-40 TO +85	°C
SOLDERING TEMP.		+260	°C
2.0mm FROM BODY			3 SEC. MAX

* t<10µS

NOTES:

1. SSL-LX3044YD, YELLOW LED. (3 PCS.)
2. SSH-LXH340 HOLDER, BLACK NYLON, 94V-0.

UNCONTROLLED DOCUMENT

REV.	PART NUMBER
E	SSF-LXH340YYYD

T-3mm (T-1) RIGHT ANGLE FAULT INDICATOR HOLDER,
POS. 1,2,3: 585nm YELLOW,
COLOR DIFFUSED PER POSITION.

CONFIDENTIAL INFORMATION
THE INFORMATION CONTAINED IN THIS DOCUMENT IS THE PROPERTY OF LUMEX INC. EXCEPT AS SPECIFICALLY AUTHORIZED IN WRITING BY LUMEX INC., THE HOLDER OF THIS DOCUMENT SHALL KEEP ALL INFORMATION CONTAINED HEREIN CONFIDENTIAL AND SHALL PROTECT SAME IN WHOLE OR IN PART FROM DISCLOSURE AND DISSEMINATION TO ALL THIRD PARTIES.

RELIABILITY NOTE
OUR MANY YEARS OF EXPERIENCE DATA ACCUMULATION INDICATE THAT SOLDER HEAT IS A MAJOR CAUSE OF EARLY AND FUTURE FAILURE. PLEASE PAY ATTENTION TO YOUR SOLDERING PROCESS.

		290 E. HELEN ROAD PALATINE, IL 60067-6976 PHONE: +1.847.359.2790 US WEB: www.lumex.com TW WEB: www.lumex.com.tw	
DRAWN BY: JD	CHECKED BY:	APPROVED BY:	DATE: 9.02.04 PAGE: OF 1 SCALE: N/A