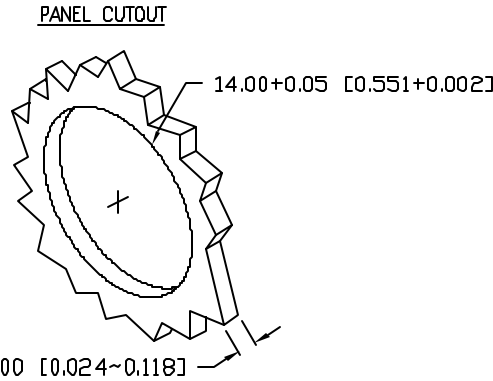
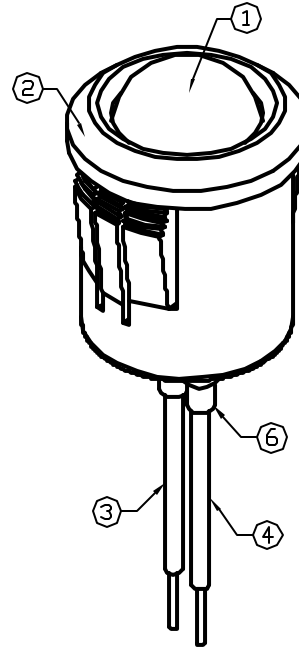
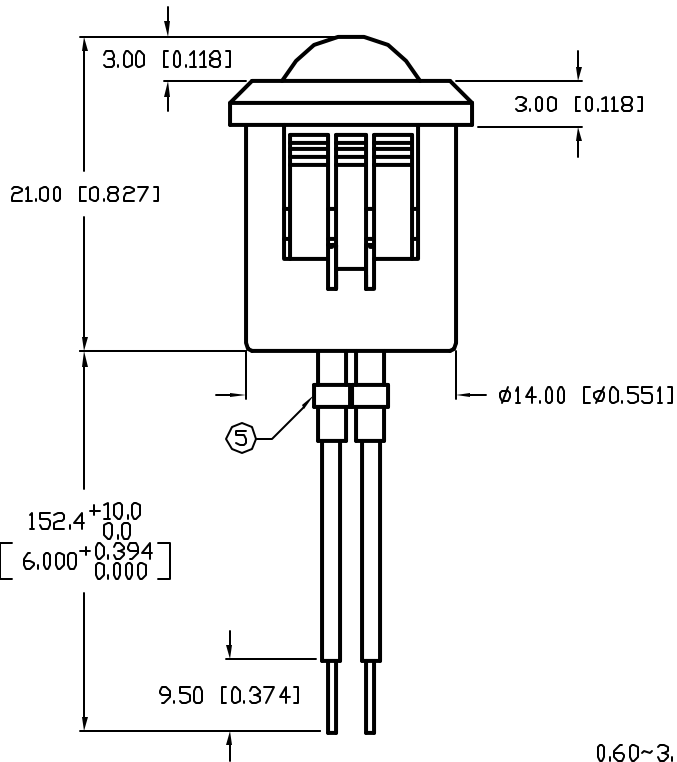
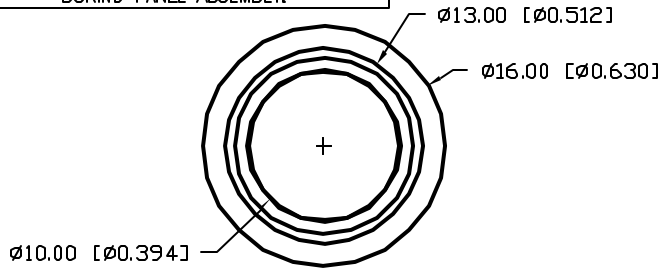


UNCONTROLLED DOCUMENT

CAUTION: PRESSURE SENSITIVE ASSEMBLY  
AVOID APPLYING PRESSURE TO LED  
DURING PANEL ASSEMBLY.



\*UNLESS OTHERWISE SPECIFIED TOLERANCES PER DECIMAL PRECISION ARE: X=±1 (±0.039), XX=±0.5 (±0.020), XXX=±0.25 (±0.010), XXXX=±0.127 (±0.005). LEAD SIZE=±0.05 (±0.002), LEAD LENGTH=±0.75 (±0.030), MIN= <sup>+DECIMAL PRECISION</sup> -0.00 <sub>-DECIMAL PRECISION</sub> MAX.= <sup>+0.00</sup> -DECIMAL PRECISION

PART NUMBER  
SSI-LXH1090USBD150

REV.

CAUTION: STATIC SENSITIVE DEVICE  
FOLLOW PROPER E.S.D. HANDLING PROCEDURES  
WHEN WORKING WITH THIS PART.

ELECTRO-OPTICAL CHARACTERISTICS TA=25°C If=20mA

| PARAMETER          | MIN           | TYP | MAX | UNITS    | TEST COND |
|--------------------|---------------|-----|-----|----------|-----------|
| PEAK WAVELENGTH    |               | 470 |     | nm       |           |
| FORWARD VOLTAGE    |               | 3.5 | 4.0 | Vf       |           |
| REVERSE VOLTAGE    | 5.0           |     |     | Vr       | If=100µA  |
| AXIAL INTENSITY    |               | 350 |     | mcd      | If=20mA   |
| VIEWING ANGLE      |               | 60  |     | 2x theta |           |
| EMITTED COLOR:     | BLUE          |     |     |          |           |
| EPOXY LENS FINISH: | BLUE DIFFUSED |     |     |          |           |

LIMITS OF SAFE OPERATION AT 25°C

| PARAMETER                | MAX        | UNITS |
|--------------------------|------------|-------|
| PEAK FORWARD CURRENT*    | 100        | mA    |
| STEADY CURRENT           | 30         | mA    |
| POWER DISSIPATION        | 100        | mW    |
| DERATE FROM 25°C         | -1.2       | mW/°C |
| OPERATING, STORAGE TEMP. | -40 TO +85 | °C    |

\* t<10µs

NOTES:

- SSL-LX100133USBD LED.
- SSH-RTF1090 HOLDER.
- ANODE LEAD: LXP-WST24RDT0C, 24 AWG STRANDED, RED INSULATION, CUT 144mm LONG, STRIP 3mm & 9.5mm.
- CATHODE LEAD: LXP-WST24BLT0C, 24 AWG STRANDED, BLACK INSULATION, CUT 144mm LONG, STRIP 3mm & 9.5mm.
- CRIMP WIRE LEADS TO LED LEADS.
- 2 PIECES- 32mm, 1/16" BLACK HEAT SHRINK TUBING.
- UV EPOXY TO RETAIN LED IN HOLDER.

UNCONTROLLED DOCUMENT

REV.

PART NUMBER

SSI-LXH1090USBD150

CONFIDENTIAL INFORMATION

THE INFORMATION CONTAINED IN THIS DOCUMENT IS THE PROPERTY OF LUMEX INC. EXCEPT AS SPECIFICALLY AUTHORIZED IN WRITING BY LUMEX INC, THE HOLDER OF THIS DOCUMENT SHALL KEEP ALL INFORMATION CONTAINED HEREIN CONFIDENTIAL AND SHALL PROTECT SAME IN WHOLE OR IN PART FROM DISCLOSURE AND DISSEMINATION TO ALL THIRD PARTIES.

RELIABILITY NOTE

OUR MANY YEARS OF EXPERIENCE DATA ACCUMULATION INDICATE THAT SOLDER HEAT IS A MAJOR CAUSE OF EARLY AND FUTURE FAILURE. PLEASE PAY ATTENTION TO YOUR SOLDERING PROCESS.



290 E. HELEN ROAD  
PALATINE, IL 60067-6976  
PHONE: +1.847.359.2790  
US WEB: www.lumex.com  
TW WEB: www.lumex.com.tw

T-10mm 470nm InGaN/SiC BLUE LED PANEL INDICATOR,  
BLUE DIFFUSED LENS, 6" WIRE LEADS.

DRAWN BY:

CHECKED BY:

APPROVED BY:

DATE: 1.5.02

BC

PAGE: 1 OF 1

SCALE: N/A