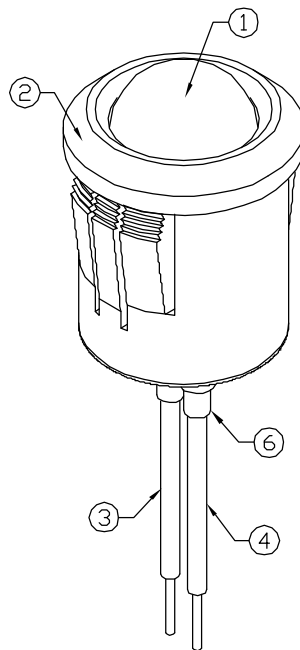
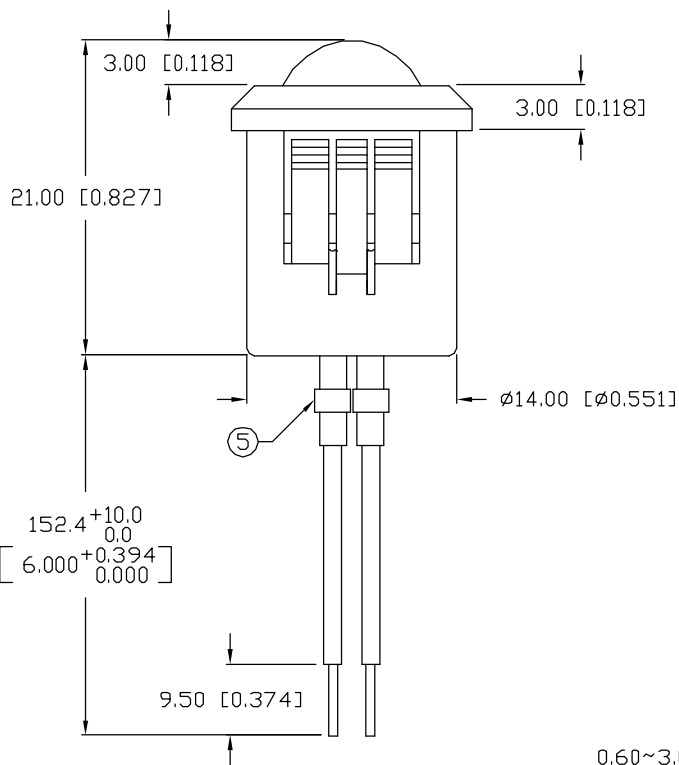
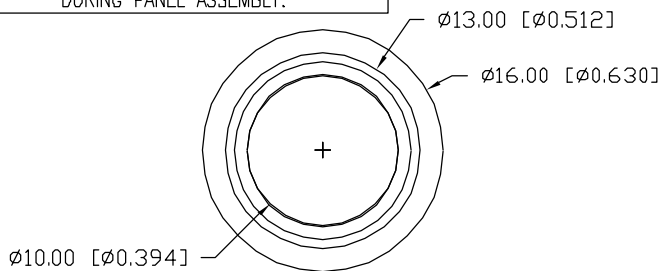
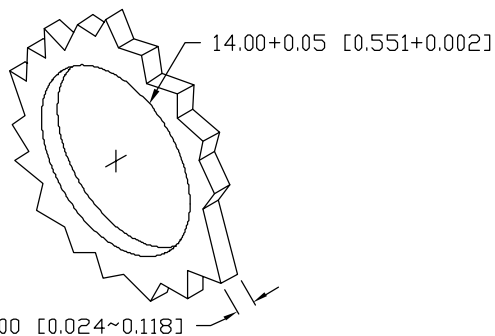


# UNCONTROLLED DOCUMENT

CAUTION: PRESSURE SENSITIVE ASSEMBLY  
AVOID APPLYING PRESSURE TO LED  
DURING PANEL ASSEMBLY.



### PANEL CUTOUT



\*UNLESS OTHERWISE SPECIFIED TOLERANCES PER DECIMAL PRECISION ARE: X=±1 (±0.039), X.X=±0.5 (±0.020), X.XX=±0.25 (±0.010), X.XXX=±0.127 (±0.005). LEAD SIZE=±0.05 (±0.002), LEAD LENGTH=±0.75 (±0.030). MIN.= +DECIMAL PRECISION -0.00, MAX.= +0.00 -DECIMAL PRECISION

PART NUMBER  
SSI-LXH1090SUGD150

REV.

| ELECTRO-OPTICAL CHARACTERISTICS $T_A=25^{\circ}\text{C}$ $I_f=20\text{mA}$ |                |     |     |          |                      |
|--|----------------|-----|-----|----------|----------------------|
| PARAMETER  | MIN            | TYP | MAX | UNITS    | TEST COND            |
| PEAK WAVELENGTH  |                | 574 |     | nm       |                      |
| FORWARD VOLTAGE  |                | 2.2 | 2.6 | $V_f$    |                      |
| REVERSE VOLTAGE  | 5.0            |     |     | $V_r$    | $I_r=100\mu\text{A}$ |
| AXIAL INTENSITY  |                | 200 |     | mcd      | $I_f=20\text{mA}$    |
| VIEWING ANGLE  |                | 60  |     | 2x theta |                      |
| EMITTED COLOR:   | GREEN          |     |     |          |                      |
| EPOXY LENS FINISH:   | GREEN DIFFUSED |     |     |          |                      |

| LIMITS OF SAFE OPERATION AT 25°C |            |       |
|----------------------------------|------------|-------|
| PARAMETER                        | MAX        | UNITS |
| PEAK FORWARD CURRENT*            | 100        | mA    |
| STEADY CURRENT                   | 30         | mA    |
| POWER DISSIPATION                | 105        | mW    |
| DERATE FROM 25°C                 | -1.2       | mW/°C |
| OPERATING, STORAGE TEMP.         | -40 TO +85 | °C    |

\*  $t < 10\mu\text{s}$

### NOTES:

- SSL-LX100133SUGD LED.
- SSH-RTF1090 HOLDER.
- ANODE LEAD: LXP-WST24RDTC, 24 AWG STRANDED, RED INSULATION, CUT 144mm LONG, STRIP 3mm & 9.5mm.
- CATHODE LEAD: LXP-WST24BLTDC, 24 AWG STRANDED, BLACK INSULATION, CUT 144mm LONG, STRIP 3mm & 9.5mm.
- GRIMP WIRE LEADS TO LED LEADS.
- 2 PIECES- 32mm, 1/16" BLACK HEAT SHRINK TUBING.
- UV EPOXY TO RETAIN LED IN HOLDER.

# UNCONTROLLED DOCUMENT

REV.

PART NUMBER

SSI-LXH1090SUGD150

T-10mm 574nm AlInGaP GREEN LED PANEL INDICATOR,  
GREEN DIFFUSED LENS, 6" WIRE LEADS.

### CONFIDENTIAL INFORMATION

THE INFORMATION CONTAINED IN THIS DOCUMENT IS THE PROPERTY OF LUMEX INC. EXCEPT AS SPECIFICALLY AUTHORIZED IN WRITING BY LUMEX INC., THE HOLDER OF THIS DOCUMENT SHALL KEEP ALL INFORMATION CONTAINED HEREIN CONFIDENTIAL AND SHALL PROTECT SAME IN WHOLE OR IN PART FROM DISCLOSURE AND DISSEMINATION TO ALL THIRD PARTIES.

### RELIABILITY NOTE

OUR MANY YEARS OF EXPERIENCE DATA ACCUMULATION INDICATE THAT SOLDER HEAT IS A MAJOR CAUSE OF EARLY AND FUTURE FAILURE. PLEASE PAY ATTENTION TO YOUR SOLDERING PROCESS.



290 E. HELEN ROAD  
PALATINE, IL 60067-6976  
PHONE: +1.847.359.2790  
US WEB: www.lumex.com  
TW WEB: www.lumex.com.tw

|                 |             |              |              |
|-----------------|-------------|--------------|--------------|
| DRAWN BY:<br>BC | CHECKED BY: | APPROVED BY: | DATE: 6.5.03 |
|                 |             |              | PAGE: 1 OF 1 |
|                 |             |              | SCALE: N/A   |