

PIR SENSOR INTERFACE

FEATURES:

- Direct Interface with PIR Sensor
- Two-Stage Differential Amplifier
- Amplifier Gain and Bandwidth externally controlled
- Window Comparator and Digital Filter limit Noise
- Triac Output Drive
- Programmable Output Duration Timer
- Selectable Dead Time
- Single or Dual Pulse Detection
- Timing derived from 50Hz/60Hz AC
- Motion Detection LED Indicator
- LS6505 (DIP), LS6505-S (SOIC) - See Figure 1

APPLICATIONS:

Wall and ceiling mounted occupancy sensors providing energy savings and convenience.

PIN ASSIGNMENT - TOP VIEW

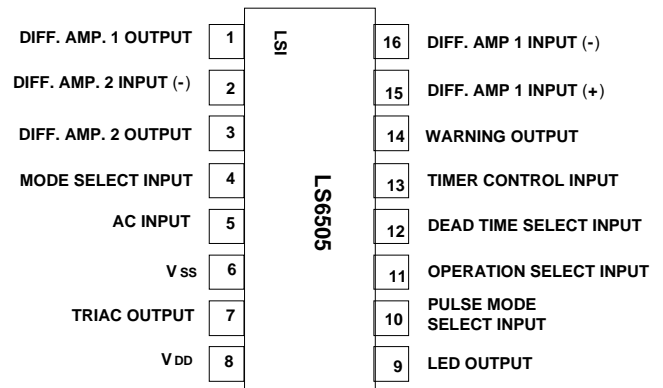


FIGURE 1

DESCRIPTION (See Figure 2)

The LS6505 is a CMOS integrated circuit, designed for detecting motion from a PIR Sensor and initiating appropriate responses.

DIFFERENTIAL AMPLIFIER

Each stage of the two stage Differential Amplifier can be set to have its own amplification and bandwidth. The two inputs to the first stage allow for single ended or differential connection to PIR Sensors. This stage can be biased anywhere in its dynamic range. The second stage is internally biased so that the Window Comparator's lower and higher thresholds can be fixed relative to this bias.

WINDOW COMPARATOR

The Window Comparator provides noise filtering by enabling only those signals equal to or greater than a fixed threshold at the output of the Differential Amplifier to appear at the output of the Window Comparator.

COMPARATOR DIGITAL FILTER

The output of the Window Comparator is filtered so that motion must be present for a certain duration before it can be recognized and appear as pulses at the Digital Filter output.

SINGLE PULSE / DUAL PULSE MODES

The logic level at the Pulse Mode Select input selects Single Pulse (SP) or Dual Pulse (DP) mode. The trigger for the Output Duration Timer is generated by requiring one (SP Mode) or two (DP Mode) pulses to be present at the Digital Filter output within a specified time period. SP Mode = 0; DP Mode = 1

OUTPUT DURATION TIMER (See Table 1 and Figure 3)

The timeout is selected by the voltage level at the Timer Control input. The Timer's trigger is generated from pulses at the Digital filter output. In Auto operation, the Timer controls the On duration of the Triac output and is retriggerable.

DEAD TIME (See Table 2)

False turn-ons are prevented from occurring by establishing a Dead Time between the end of the timeout of the Output Duration Timer and the retriggering of that Timer.

TRIAC OUTPUT

This open drain output turns On when the Output Duration Timer is triggered. The output drives a Triac gate. With the Output Duration Timer On and a 2.7V P-P 60Hz signal applied to the AC input, this output produces a negative going pulse in each half-cycle delayed a nominal 1.2ms from the zero crossing. There is no more than 150us difference between the zero-crossing delay of each pulse.

WARNING OUTPUT

This output goes high for 2 sec beginning 7.5 sec before the Triac output turns off. This signal can be used to trigger an audible or visual alert.

LED OUTPUT (See Figure 3)

Normally, the status of the LED output is opposite to the Triac output, but in Auto operation the LED output flashes on for one second whenever motion is detected.

MODE SELECT

Open = Mode A, V_{SS} = Mode B, V_{DD} = Mode C

OPERATION SELECT (See Figure 3, S1)

The 3-state Operation Select input determines the operation of LS6505 in accordance with the selected Mode as shown below:

Input	Mode A	*Mode B	Mode C
V _{DD}	On	(1)	(3)
Open	Auto	Prior Condition	Auto
V _{SS}	Off	(2)	(4)

(1) Momentary application of V_{DD} turns on the Triac output and starts Auto operation. After the Triac output is off for 15 seconds, Auto operation terminates.

(2) Momentary application of V_{SS} turns off the Triac output.

(3) Same as (1) except that Auto operation does not terminate.

(4) Same as (2) except that after the Triac output is off for 8 seconds, Auto operation begins.

*Note: Mode B is compliant with California Title 24.

ABSOLUTE MAXIMUM RATINGS:

PARAMETER	SYMBOL	VALUE	UNIT
DC supply voltage	$V_{DD} - V_{SS}$	+5.5	V
Any input voltage	V_{IN}	$V_{SS} - 0.3$ to $V_{DD} + 0.3$	V
Operating temperature	T_A	-40 to +85	°C
Storage temperature	T_{STG}	-65 to +150	°C

ELECTRICAL CHARACTERISTICS:

(All voltages referenced to V_{SS} , $T_A = -40^{\circ}\text{C}$ to $+55^{\circ}\text{C}$, $4.5\text{V} \leq V_{DD} \leq 5.5\text{V}$, unless otherwise specified.)

PARAMETER	SYMBOL	MIN	TYP	MAX	UNIT	CONDITIONS
SUPPLY CURRENT:						
$V_{DD} = 5\text{V}$	I_{DD}	-	150	200	μA	Triac and LED outputs not loaded
$V_{DD} = 4.5\text{V} - 5.5\text{V}$	I_{DD}	-	180	240	μA	
DIFFERENTIAL AMPLIFIERS:						
Open Loop Gain, Each Stage	G	70	-	-	dB	-
Common Mode Rejection Ratio	CMRR	60	-	-	dB	-
Power Supply Rejection Ratio	PSRR	60	-	-	dB	-
Output Drive Current	I_D	-	-	25	μA	-
Input Sensitivity (Minimum Detectable Voltage to first amplifier when both amplifiers are cascaded for a net gain of 5,000)	V_S	100	-	-	μV	$T_A = 25^{\circ}\text{C}$, with Amplifier Bandpass configuration as shown in Figure 3
Input Dynamic Range	-	0	-	2.5	V	-
Diff. Amp 2 Internal Reference	V_{IR}	-	0.4 V_R	-	V	-
COMPARATOR:						
Lower Reference	V_{THL}	-	$V_{IR} - 0.5\text{V}$	-	V	-
Higher Reference	V_{THH}	-	$V_{IR} + 0.5\text{V}$	-	V	-
DIGITAL FILTER:						
Input Pulse Width (for recognition)	T_{PW}	66.3	-	-	ms	60Hz operation
	T_{PW}	79.6	-	-	ms	50Hz operation
OUTPUT DRIVE CURRENT:						
Triac	I_O	-40	-	-	mA	With 3V Triac Gate
Warning: Source Current	I_{W+}	2	-	-	mA	$V_O = V_{DD} - 0.5\text{V}$
Sink Current	I_{W-}	1	-	-	mA	$V_O = 0.3\text{V Max}$
TRIAC OUTPUT TIMING:						
Pulse Width	T_{TPW}	20	30	45	μs	$V_{DD} = 5\text{V}$, $f = 60\text{Hz}$ and 2.7V P-P AC input
Delay from zero crossover	T_{OD}	1.00	1.2	1.32	ms	
Delay difference between zero crossovers	T_{ODD}	-	-	150	μs	$f = 60\text{Hz}$
AC INPUT IMPEDANCE						
	Z_{AC}	270	-	-	$\text{k}\Omega$	-
LED OUTPUT:						
Source Current	I_{S+}	2	-	-	mA	$V_O = V_{DD} - 0.5\text{V}$
Sink Current	I_{S-}	1	-	-	mA	$V_O = 0.3\text{V}$
Pulse Width	T_{LPW}	0.75	1	1.25	sec	$f = 60\text{Hz}$
DUAL PULSE MODE:						
Time between pulse-pairs for motion recognition	T_R	-	-	5.125	sec	$f = 60\text{Hz}$

TABLE 1
OUTPUT DURATION TIMER AS A FUNCTION OF TIMER
CONTROL INPUT VOLTAGE

(f = Frequency at AC input)

INPUT VOLTAGE	f = 50Hz	f = 60Hz	UNIT
0	18	15	sec
1/16 V _{DD}	36	30	sec
2/16 V _{DD}	54	45	sec
3/16 V _{DD}	72	60	sec
4/16 V _{DD}	2.4	2	min
5/16 V _{DD}	3.6	3	min
6/16 V _{DD}	4.8	4	min
7/16 V _{DD}	6	5	min
8/16 V _{DD}	7.2	6	min
9/16 V _{DD}	8.4	7	min
10/16 V _{DD}	9.6	8	min
11/16 V _{DD}	10.8	9	min
12/16 V _{DD}	12	10	min
13/16 V _{DD}	14.4	12	min
14/16 V _{DD}	16.8	14	min
15/16 V _{DD}	18	15	min

TABLE 2
DEAD TIME DURATION AS A FUNCTION OF THE
STATE OF DEAD TIME SELECT INPUT

(f = Frequency at AC input)

INPUT STATE	f = 50Hz	f = 60Hz	UNIT
0	0	0	sec
OPEN	1.2	1	sec
1	2.4	2	sec

The information included herein is believed to be accurate and reliable. However, LSI Computer Systems, Inc. assumes no responsibilities for inaccuracies, nor for any infringements of patent rights of others which may result from its use.

FIGURE 2. LS6505 BLOCK DIAGRAM

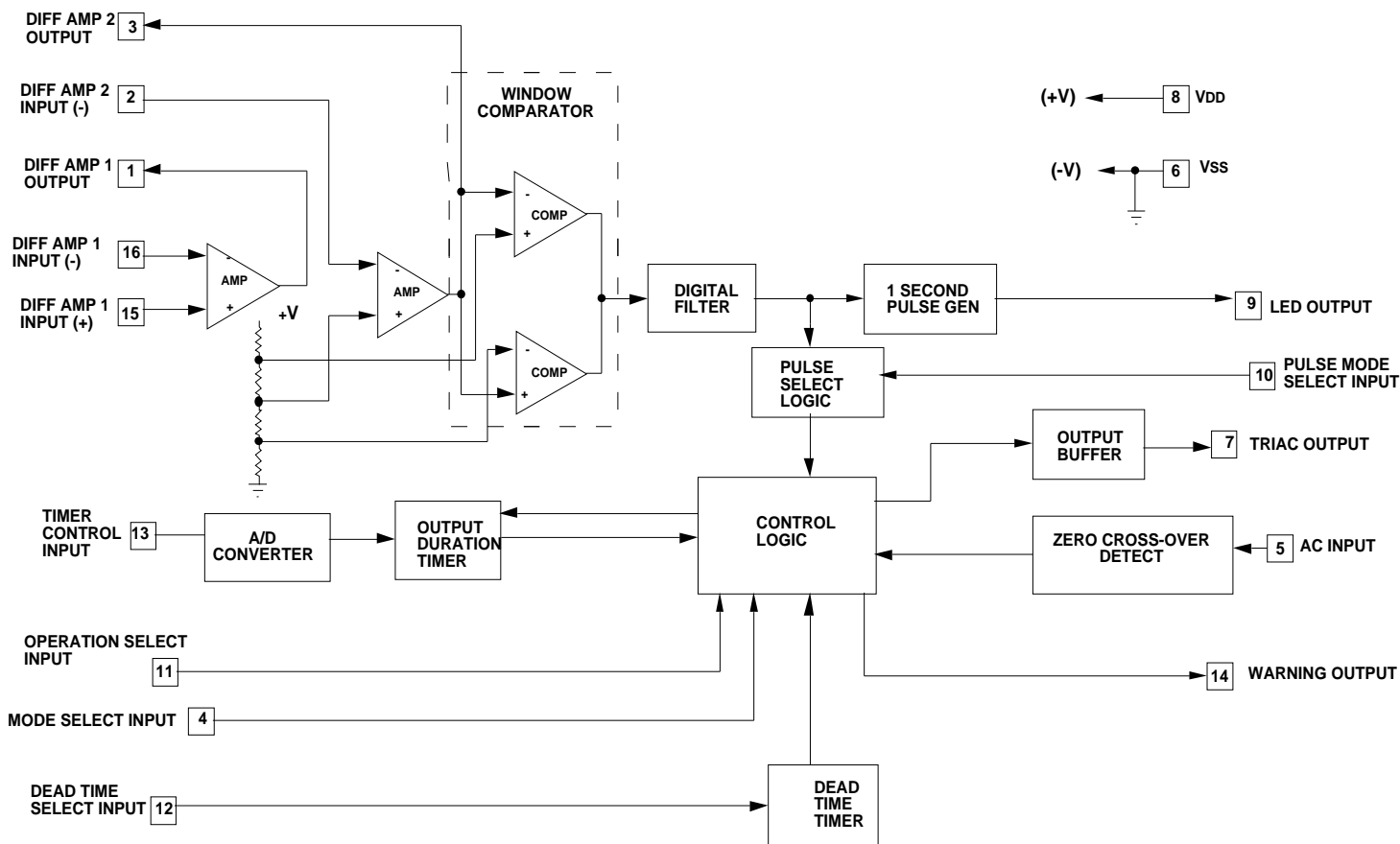
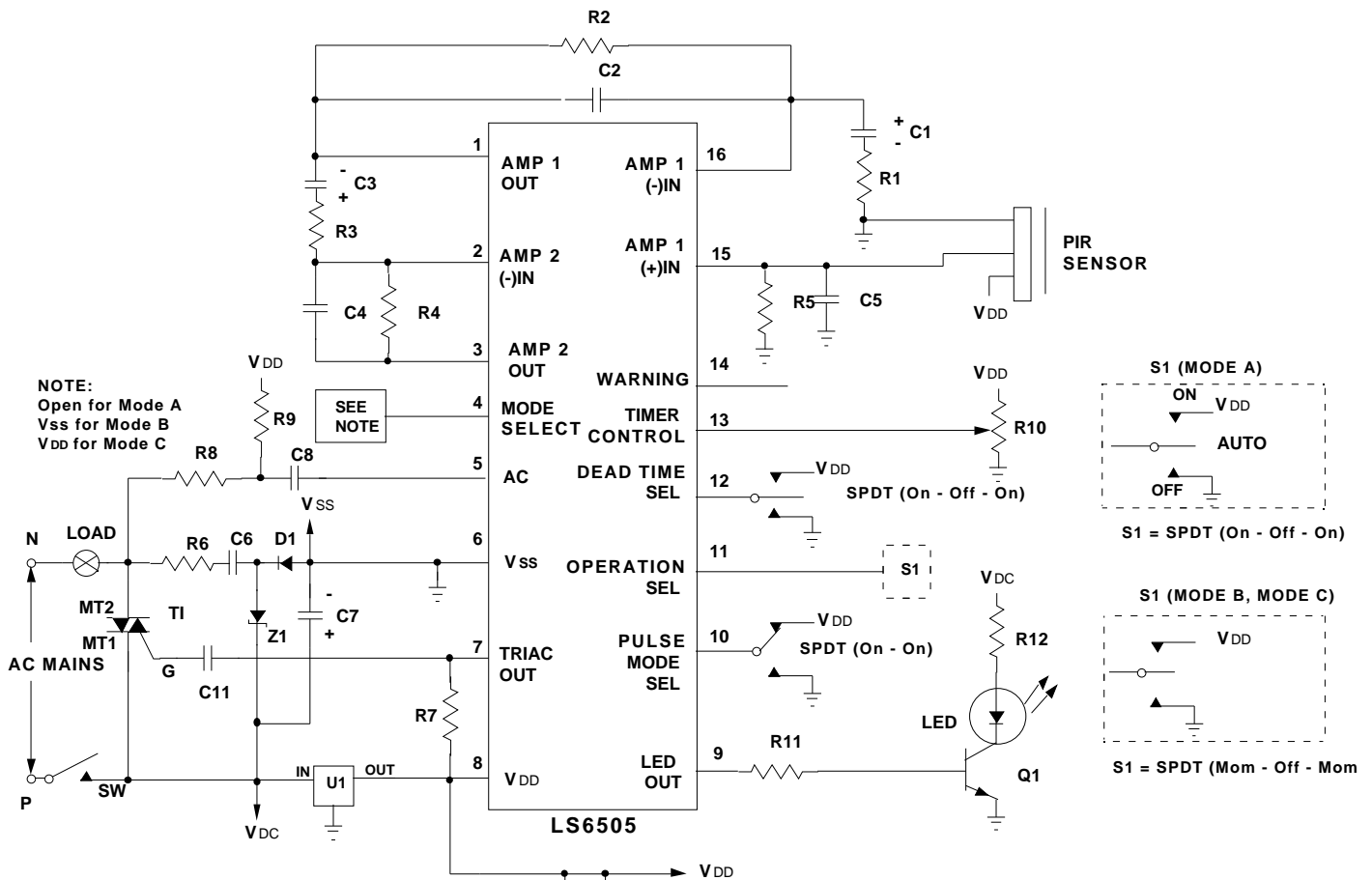


FIGURE 3. TYPICAL WALL SWITCH OCCUPANCY SENSOR APPLICATION



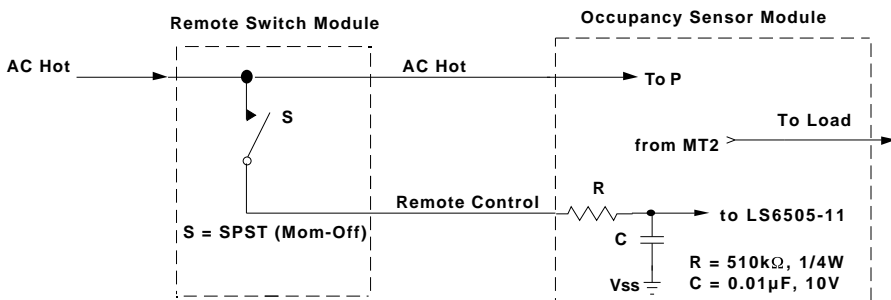
- R1 = 36kΩ
- R2 = 2.7MΩ
- R3 = 36kΩ
- R4 = 2.7MΩ
- R5 = 36kΩ
- R6 = 240Ω, 1/2W
- R6 = 1kΩ, 1W
- R7 = 1kΩ
- R8 = 910kΩ
- R9 = 7.5kΩ
- R9 = 3.6kΩ
- R10 = 1.0MΩ (variable)
- R11 = 51kΩ
- R12 = 10kΩ

- C1 = 33μF
- C2 = 0.01μF
- C3 = 33μF
- C4 = 0.01μF
- C5 = 0.1μF
- C6 = 1.5μF, 250V
- * C6 = 1.0μF, 400V
- C7 = 1000μF
- C8 = 0.1μF, 250V
- * C8 = 0.1μF, 400V
- * = Component change for 220VAC
- C9 = 33μF
- C10 = 0.1μF
- C11 = 0.033μF
- D1 = 1N4004
- Z1 = 24V, 1/2W
- T1 = Q4008L4 (Typical)
- * T1 = Q5004L4 (Typical)
- U1 = LM78L05 or equivalent (5V Regulator)
- Q1 = MPS8099

All Resistors 1/4W, all Capacitors 10V unless otherwise specified.
 PIRs = Perkin-Elmer LHi 958, 878 (Typical)
 Nicera RE200B, RE46B-SW81 for Ceiling Mount (Typical)

- NOTES:**
1. The R8, R9, C8 network provides a 2.7V Peak-to-Peak AC signal input to Pin 5.
 2. The C7, D1, Z1, C6, R6 components generate the DC Supply Voltage for the LS6505.
 3. The R1, C1, R2, C2, R3, C3, R4, C4, R5, C5 components and the two on-chip Differential Amplifiers set a nominal gain of 5,500 with bandpass filtering of 0.13Hz to 6Hz.

FIGURE 4. ADAPTING WALL SWITCH FOR 3-WAY OPERATION



When operated in Mode B or Mode C, the wall switch occupancy sensor shown in Figure 3 can easily be adapted to operate with a remote switch by adding an R-C network to the occupancy sensor module. R limits the current from the remote module into Pin 11 of the LS6505 and C suppresses noise.