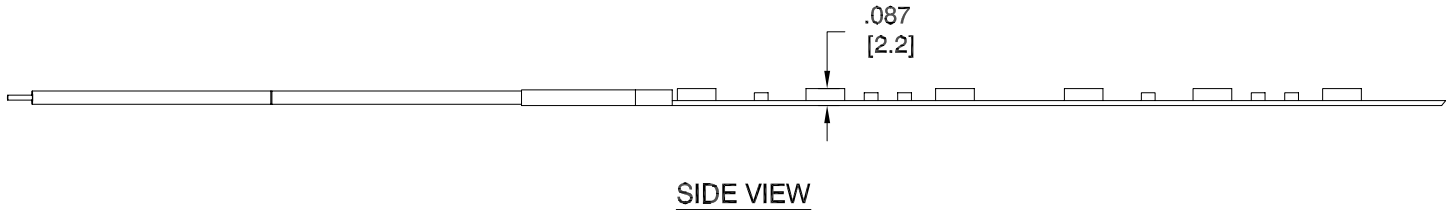
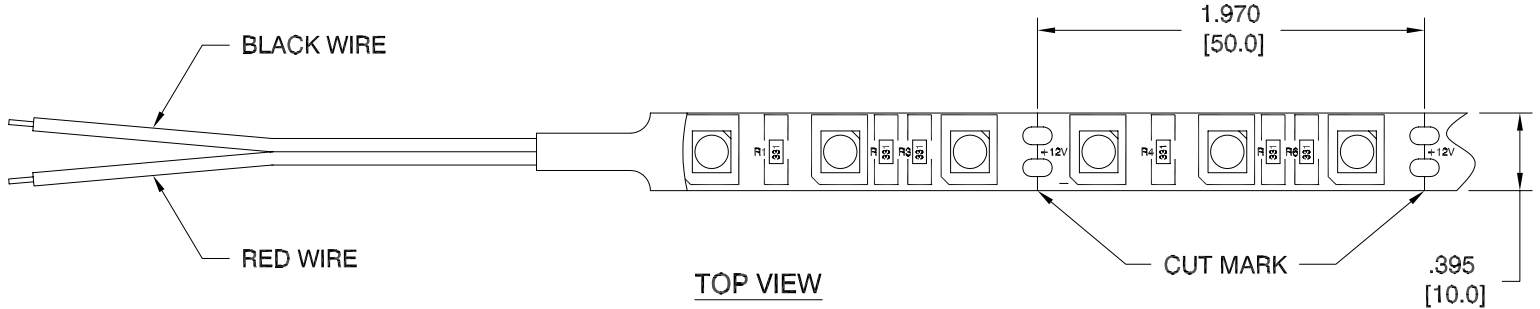


| LTR | REVISION | DATE | APPD |
|-----|-------------|----------|------|
| 1 | PRELIMINARY | 04-17-12 | |



NOTES:

1. ALL DIMENSIONS ARE IN INCHES [MILLIMETERS].
2. LENGTH: 5M /ROLL
3. LED QTY. /M: 60 LEDs /M
4. NON-WATERPROOF IP33

REVISION NOTIFICATION

- PMA
- UL
- MADE IN USA
- CUSTOMER _____
- OTHER

| PLT10-5050-60-0AG | GREEN | 12VDC | 14.4W/M | 720 lm/M | 5 meters | 520-525 | 120° | IP33 | |
|---------------------|------------|------------------|------------------|---------------|------------------|-------------|----------------|------------|----------|
| PLT10-5050-60-0ER | RED | 12VDC | 14.4W/M | 270 lm/M | 5 meters | 620-630 | 120° | IP33 | |
| PLT10-5050-60-0PB | BLUE | 12VDC | 14.4W/M | 180 lm/M | 5 meters | 465-470 | 120° | IP33 | |
| PLT10-5050-60-0PW | PURE WHITE | 12VDC | 14.4W/M | 960 lm/M | 5 meters | 5500K~6500K | 120° | IP33 | |
| PLT10-5050-60-0PY | YELLOW | 12VDC | 14.4W/M | 270 lm/M | 5 meters | 590-595 | 120° | IP33 | |
| PLT10-5050-60-0WW | WARM WHITE | 12VDC | 14.4W/M | 900 lm/M | 5 meters | 2800K~3500K | 120° | IP33 | |
| LEDTRONICS PART NO. | LED COLOR | INPUT VOLTAGE, V | MAX WATTS /METER | LUMENS /METER | RUN LENGTH (max) | λ P nm | | BEAM ANGLE | IP GRADE |
| | | | | | | COLOR | TEMP. (Kelvin) | | |

LED[®]
LEDTRONICS,™ INC.
 23105 KASHIWA COURT
 TORRANCE, CA 90505

-PROPRIETARY-
 This document contains Proprietary information of LEDTRONICS, INC. It may not be copied, used or disclosed for any purpose without the prior express written consent of LEDTRONICS, INC.

.XXX ± .010 TOLERANCE PER ANSI-Y14.5 (UNLESS OTHERWISE STATED)
 .XX ± .025
 ANGLES ± 0°,30'
 FRACT. ± 1/32

| | | | | | | | |
|--|--------------------------|--------------------------|----|-----------------|-----|------------------|--|
| TITLE PLT10-5050-60-0XX (12VDC, NON-WATERPROOF) | | | | | | | |
| DWG NO CMMS0825-CUST | | SCALE 1:1 | | SHEET 1 OF 1 | | DATE 04-17-12 | |
| CODE IDENT NO. 8Z410 | DWG BY GP 04-17-12 | CHK BY PL 04-17-12 | QA | MFG | R&D | | |