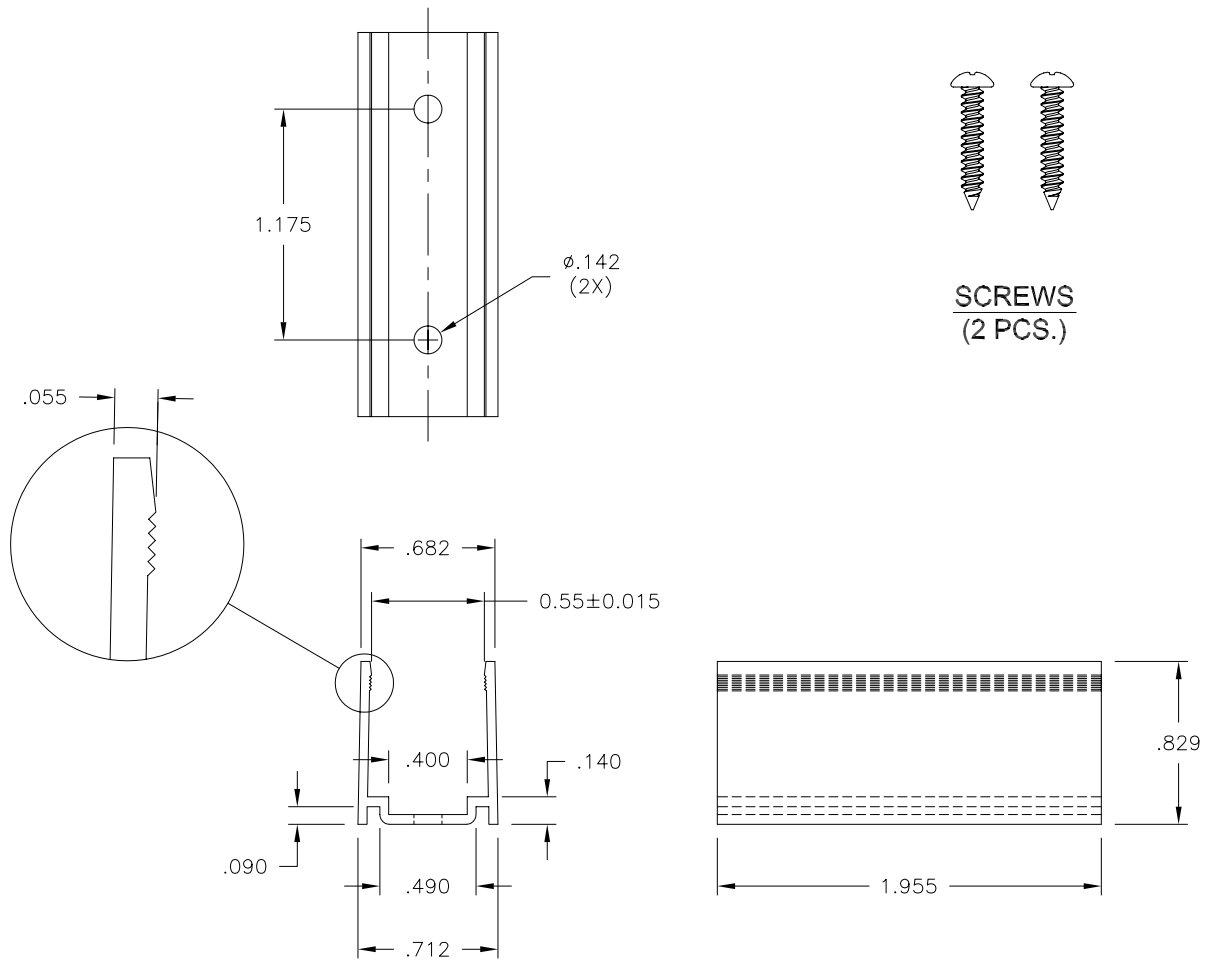


LTR	REVISION	DATE	APPD
A	112612-LUV01: ADDED DIMENSION 0.55+/-0.015	11-27-12	GP



**NOTES:**

1. MATERIAL: 6063 ALUMINUM

REVISION NOTIFICATION	
<input type="checkbox"/>	PMA
<input type="checkbox"/>	UL/ETL
<input type="checkbox"/>	MADE IN USA
<input type="checkbox"/>	CUSTOMER _____
<input type="checkbox"/>	OTHER

**LED**<sup>®</sup>  
**LEDTRONICS,™ INC.**  
 23105 KASHIWA COURT  
 TORRANCE, CA 90505

**-PROPRIETARY-**  
 This document contains Proprietary information of LEDTRONICS,™ INC. It may not be copied, used or disclosed for any purpose without the prior express written consent of LEDTRONICS,™ INC.

.XXX ± .010 TOLERANCE PER ANSI-Y14.5  
 .XX ± .025 (UNLESS OTHERWISE STATED)  
 ANGLES ± 0°,30'  
 FRACT. ± 1/32

TITLE					
<b>RNLD06U-5CM-001</b>					
DWG NO	SCALE	SHEET	DATE		
RN06U001	1:1	1 OF 1	03-03-09		
CODE IDENT NO.	DWG BY	CHK BY	QA	MFG	R&D
8Z410	GP		RD	LD	BJ
	03-03-09		11-29-12	11-28-12	11-27-12