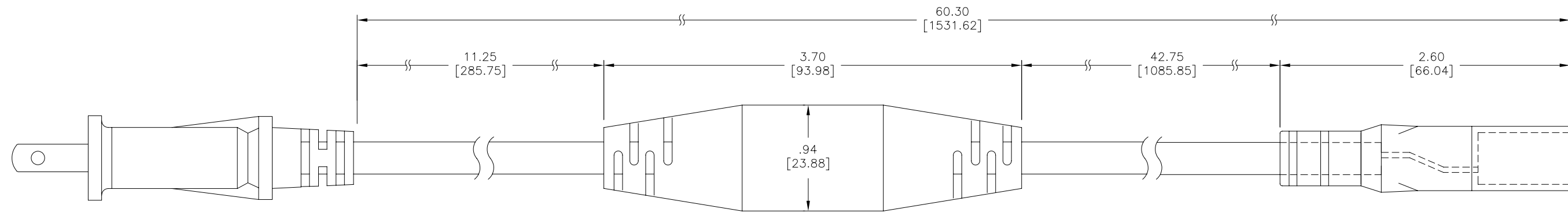
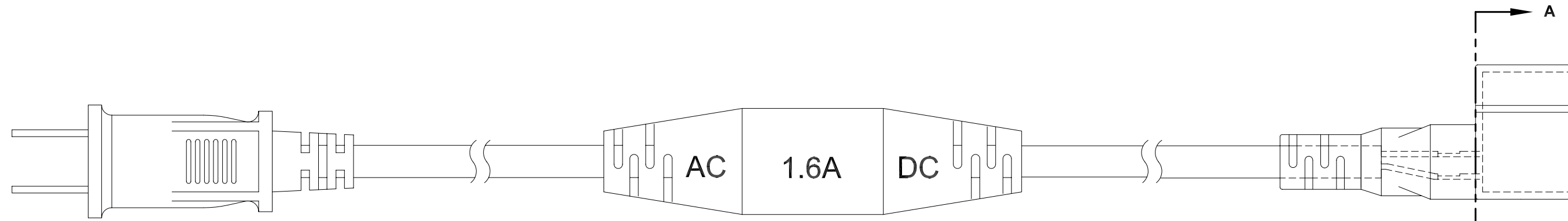


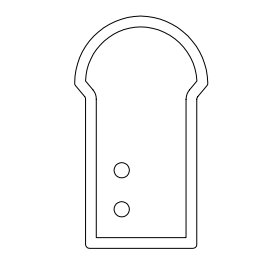
LTR	REVISION	DATE	APPD
-	RELEASED	10-26-07	



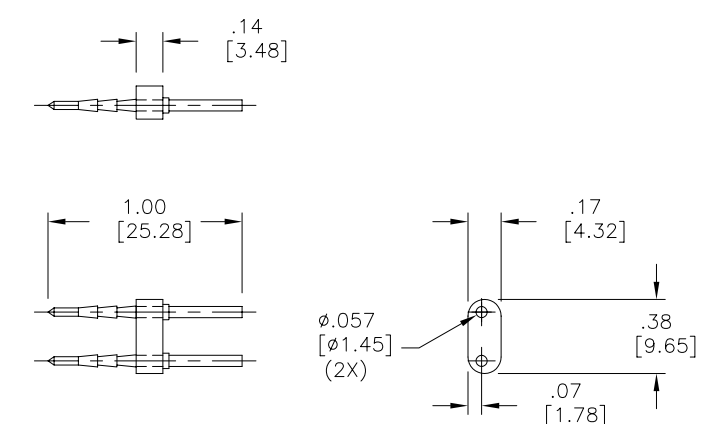
TOP VIEW



SIDE VIEW



SECTION A-A VIEW



PIN CONNECTOR



REVISION NOTIFICATION	
<input type="checkbox"/>	PMA
<input type="checkbox"/>	UL
<input type="checkbox"/>	CUSTOMER _____
<input type="checkbox"/>	OTHER

NOTES:
 1. MATERIAL: PVC, UV PROTECTED
 2. COLOR: WHITE / TRANSPARENT
 INDOOR/OUTDOOR USE.

 LED TRONICS, INC. 23105 KASHIWA COURT TORRANCE, CA 90505	-PROPRIETARY- This document contains Proprietary information of LEDTRONICS, INC. It may not be copied, used or disclosed for any purpose without the prior express written consent of LEDTRONICS, INC.		TITLE RNLD03U-3PC-001			
	DWG NO RL010015-REC	SCALE 1:1	SHEET 1 OF 1	DATE 11-25-08		CUSTOMER
	CODE IDENT NO. 8Z410	DWG BY NJL	CHK BY PL 12-01-08	QA	MFG	CUSTOMER

.XXX ± .010 TOLERANCE PER ANSI-Y14.5
 .XX ± .025 (UNLESS OTHERWISE STATED)
 ANGLES ± 0°,30'
 FRACT. ± 1/32