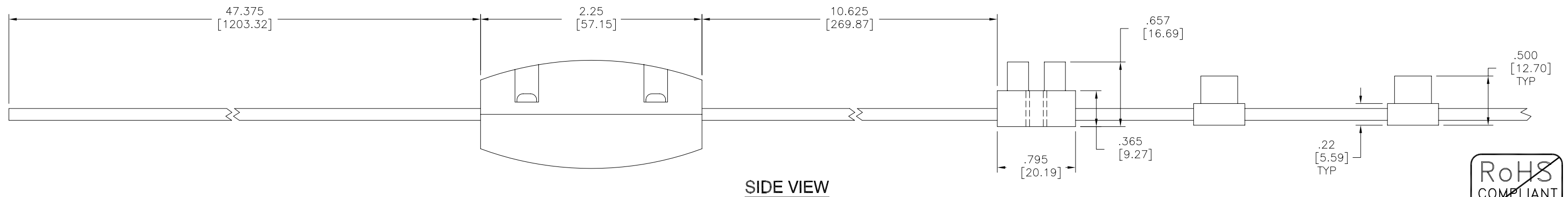


TOP VIEW



SIDE VIEW



NOTES:

1. ALL DIMENSIONS ARE IN INCHES (MILLIMETERS).
2. MAX. LENGTH: 10m

REVISION NOTIFICATION	
<input type="checkbox"/>	PMA
<input type="checkbox"/>	UL
<input type="checkbox"/>	CUSTOMER _____
<input type="checkbox"/>	OTHER

 LED TRONICS, INC. 23105 KASHIWA COURT TORRANCE, CA 90505	-PROPRIETARY- This document contains Proprietary information of LEDTRONICS, INC. It may not be copied, used or disclosed for any purpose without the prior express written consent of LEDTRONICS, INC.		TITLE LED-LP-5CM-10M-001			
	.XXX ± .010 TOLERANCE PER ANSI-Y14.5 .XX ± .025 (UNLESS OTHERWISE STATED) ANGLES ± 0°.30' FRACT. ± 1/32		DWG NO CMMS0406	SCALE 1:1	SHEET 1 OF 1	DATE 10-22-07
	CODE IDENT NO. 8Z410	DWG BY GP	CHK BY PL 10-23-07	QA MFG	CUSTOMER	