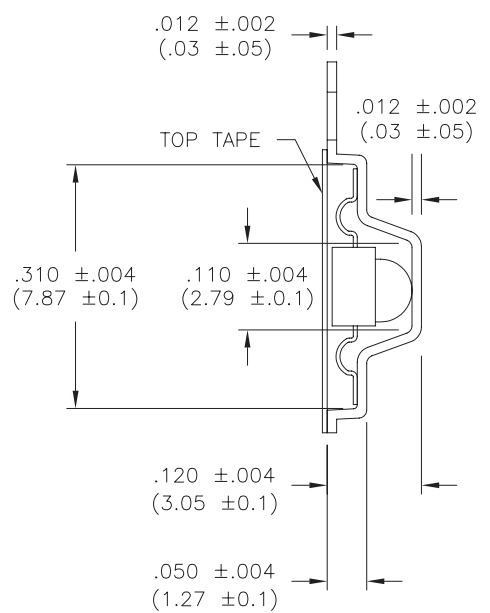
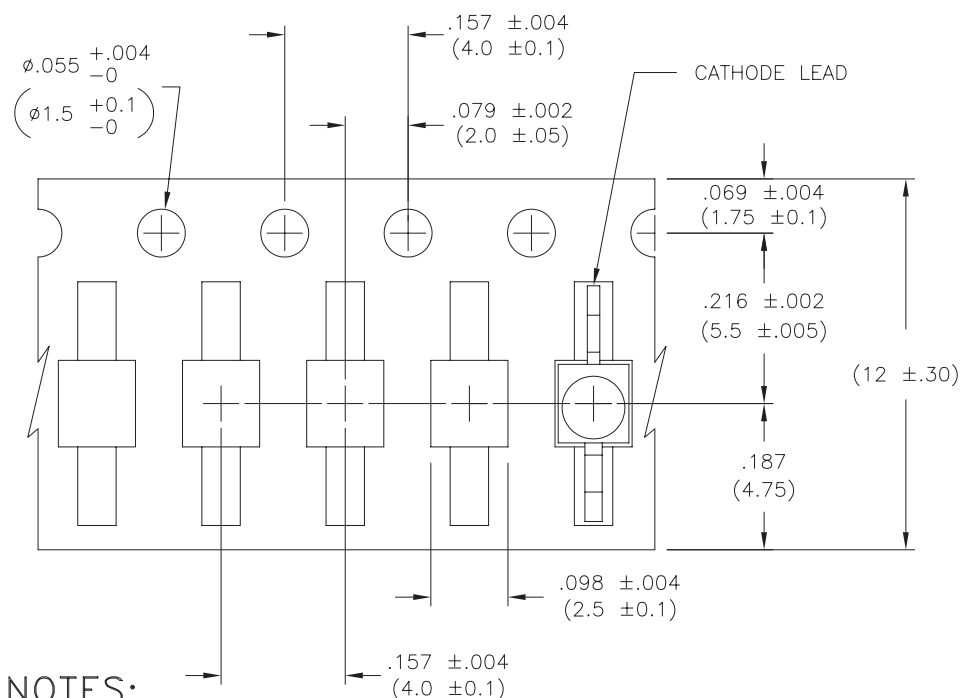
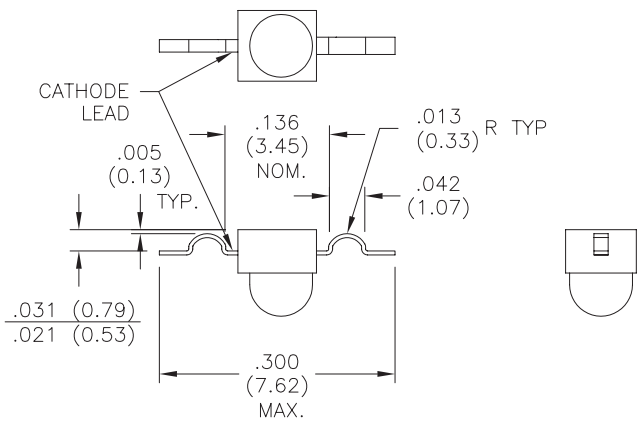


LTR	REVISION	DATE	APPD
D		09-08-04	



NOTES:

1. ALL DIMENSIONS ARE INCHES (mm).
2. EMPTY COMPONENT POCKETS SEALED WITH TOP COVER TAPE.
3. 7 INCH REEL – 1500 PIECES PER REEL.
4. MINIMUM LEADER LENGTH AT EITHER END OF TAPE IS 500mm.
5. THE MAXIMUM NUMBER OF CONSECUTIVE MISSING LAMPS IS TWO.
6. IN ACCORDANCE WITH ANSI/EIA RS-481 SPECIFICATIONS, THE CATHODE IS ORIENTED TOWARDS THE TAPE SPROCKET HOLE.
7. SPECIFICATIONS ARE SUBJECT TO CHANGE WITHOUT NOTICE.

LEDTRONICS PART NO.	L.E.D. RADIATION COLOR	ABSOLUTE MAXIMUM RATINGS (T _a =25°C)					ELECTRO-OPTICAL CHARACTERISTICS (T _a =25°C)						
		P _d mW	I _{fp} mA	I _f mA	V _r V	T _{opr} (°C)	I _f mA	I _v mcd typ	V _f =V typ/max	VIEW ANGLE	I _r max μA	λ _{Dom.} nm	λ _{Peak} nm
SML080CWR6B-021	ULTRA RED	60	150	30	5	-40°C TO +80°C	20	60.0	1.7/2.6	35	100	-	660

Tstg: -35°C TO +100°C
 LEAD SOLDERING TEMP: 0.197" (5mm) FROM BODY 250°C FOR 3 SEC.

<p>LEDTRONICS, INC. 23105 KASHIWA COURT TORRANCE, CA 90505</p>	-PROPRIETARY- This document contains Proprietary information of LEDTRONICS, INC. It may not be copied, used or disclosed for any purpose without the prior express written consent of LEDTRONICS, INC.		TITLE SML080CWxxB-021			
	.XXX ± .010 TOLERANCE PER ANSI-Y14.5 (UNLESS OTHERWISE STATED) .XX ± .025 ANGLES ± 0°,30' FRACT. ± 1/32		DWG NO DSTRO027		SCALE 4:1	
			SHEET 1 OF 1		DATE 07-08-96	
			CODE IDENT NO. 8Z410		DWG BY RM	
		CHK BY PL		QA 09-08-04		
		MFG		CUSTOMER		