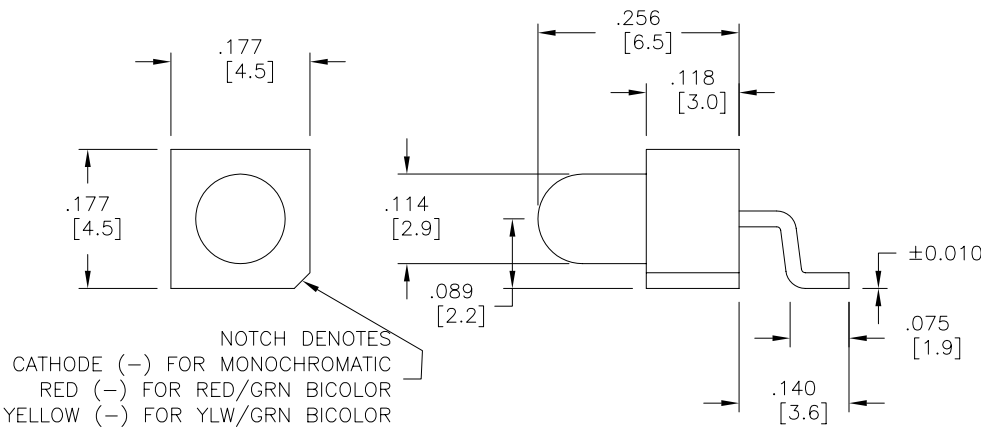


LTR	REVISION	DATE	APPD
G	090612-GP01: ADDED NOTES#5 & #6 AND ADDED COPLANARITY TO ±0.010	09-06-12	GP



PCB LAYOUT

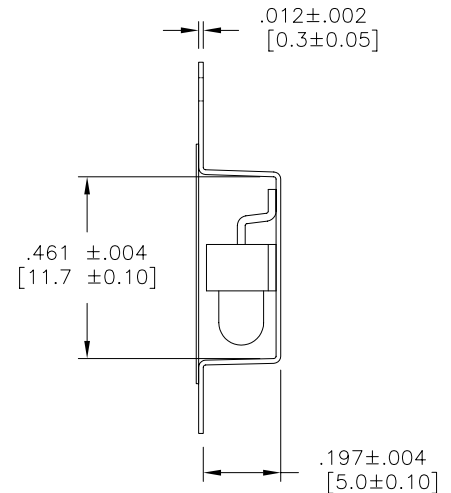
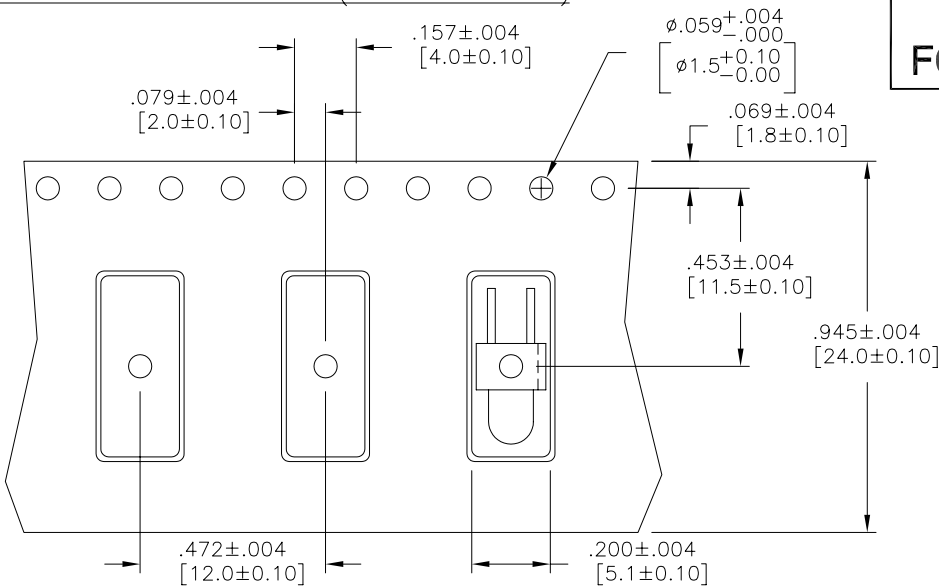
SPECIALS

- CLEAR LENS
- OTHER COLORS
- LOW CURRENT

BULK ORDER ONLY

TAPE & REEL SPECS (SCALE = 2:1)

TAPE & REEL DATA FOR TAPED PARTS ONLY



NOTES:

1. DIAMETER OF TAPE REEL TO BE 13" DIA., 30mm WIDE.
2. 1000 PIECES PER REEL.
3. REEL MATERIAL: BLACK CONDUCTIVE POLYSTYRENE.
4. TAPE & REEL IN ACCORDANCE WITH EIA-STD-481
5. RECOMMENDED FOR HAND SOLDERING ONLY.
6. LEAD COPLANARITY WILL BE PER THE SPECS.

READINGS FOR LOW CURRENT

LEDTRONICS PART NO.	L.E.D. RADIATION COLOR	LENS COLOR	ELECTRO-OPTICAL CHARACTERISTICS (T _a =25°C)				
			I _f =mA typ	I _v mcd min/typ	V _f =V typ/max	VIEW ANGLE	λ _P nm
SM110TG4	HI-EFF GREEN	DIFFUSED	10	1.7/5.6	2.2/2.5	60	565
SM110TR4	HI-EFF RED	DIFFUSED	10	1.7/5.6	2.0/2.5	60	630
SM110TY4	YELLOW	DIFFUSED	10	1.7/5.5	2.1/2.5	60	590
SM110TWRG4	HI-EFF RED	DIFFUSED	10	1.7/5.6	2.0/2.8	60	635
	HI-EFF GREEN	DIFFUSED	10	1.7/5.6	2.1/2.8	60	565
SM110TWYG4	YELLOW	DIFFUSED	10	1.7/5.5	2.1/2.8	60	585
	HI-EFF GREEN	DIFFUSED	10	1.7/5.6	2.1/2.8	60	565

ELECTRO-OPTICAL CHARACTERISTICS (T _a =25°C)				
I _f =mA typ	I _v mcd min/typ	V _f =V typ/max	VIEW ANGLE	λ _P nm
2	0.7/1.4	1.8/2.4	60	565
2	0.4/0.8	1.7/2.4	60	630
2	0.7/1.4	1.8/2.4	60	590
2	0.2/0.4	1.7/2.4	60	635
2	0.2/0.3	1.8/2.4	60	565
2	0.7/1.4	1.8/2.4	60	585
2	0.2/0.3	1.8/2.4	60	565

LED[®]
LEDTRONICS, INC.[™]
 23105 KASHIWA COURT
 TORRANCE, CA 90505

-PROPRIETARY-
 This document contains Proprietary information of LEDTRONICS, INC. It may not be copied, used or disclosed for any purpose without the prior express written consent of LEDTRONICS, INC.

.XXX ± .010 TOLERANCE PER ANSI-Y14.5
 .XX ± .025 (UNLESS OTHERWISE STATED)
 ANGLES ± 0°,30'
 FRACT. ± 1/32

TITLE							
SM110TX4							
DWG NO		SCALE	SHEET		DATE		
DSTR0011		4:1	1 OF 1		02-22-94		
CODE IDENT NO.	DWG BY	CHK BY	QA RD	MFG LD	R&D		
8Z410	MM 02-22-94		09-10-12	09-07-12	BJ 09-07-12		