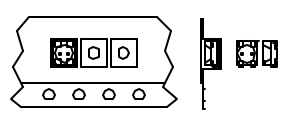
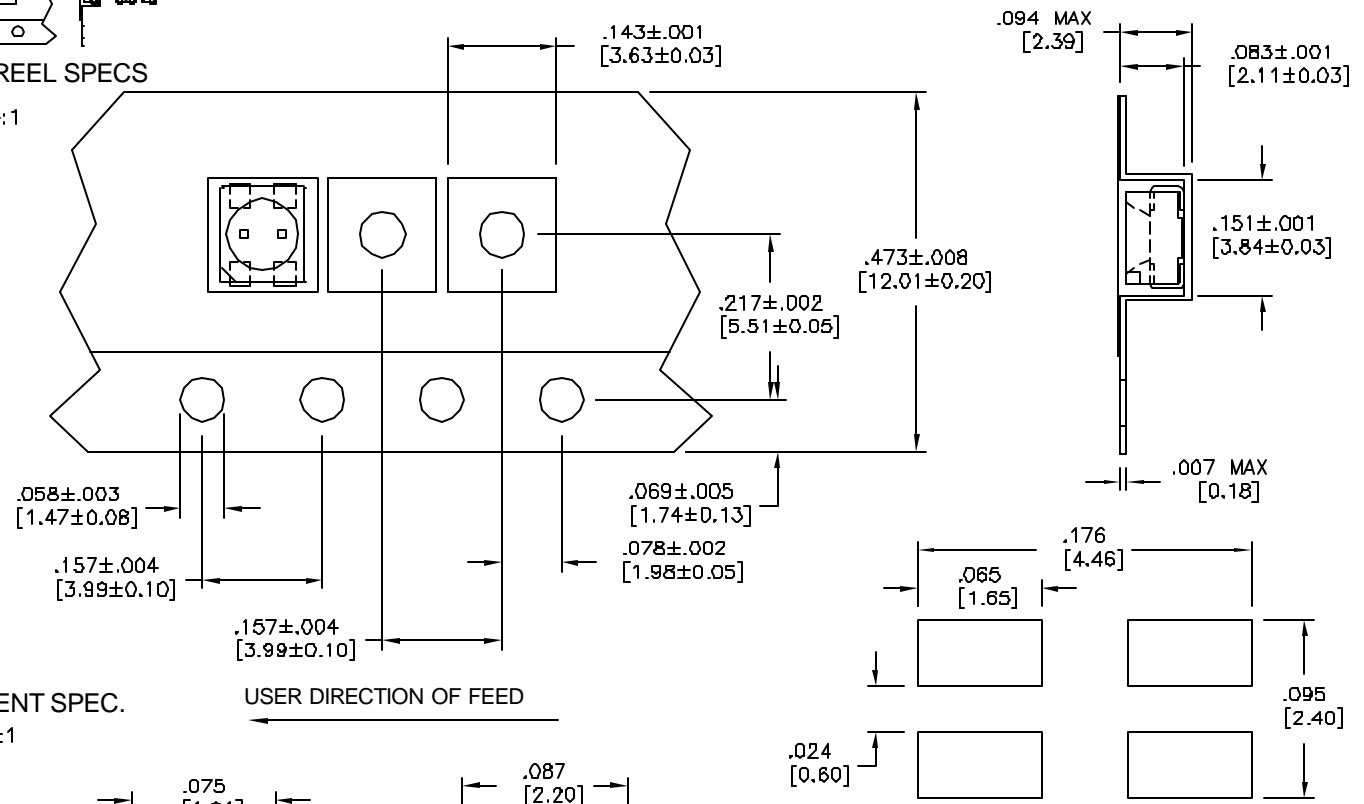


LTR	REVISION	DATE	APPD
D	120804-PL01: REVISED DRAWING	12-08-04	



Actual Size

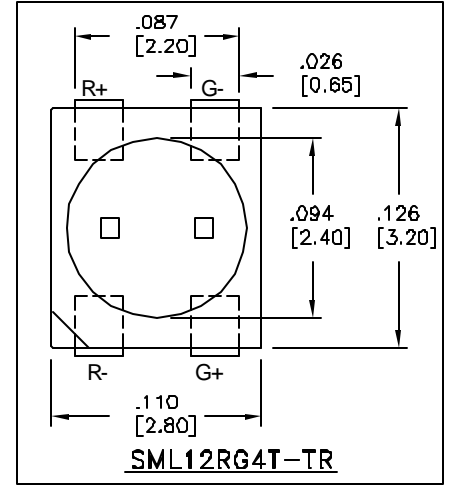
TAPE & REEL SPECS
SCALE: 4:1



COMPONENT SPEC.
SCALE: 10:1

USER DIRECTION OF FEED

RECOMENDED PAD SIZE
ROTATED AT 90°



NOTES:

- 7 INCH REEL - 1500 PIECES PER REEL
- ALL DIMS ARE IN INCHES (MILLIMETERS).
- TOLERANCE IS $\pm 0.0004"$ ($\pm 0.10\text{mm}$) UNLESS OTHERWISE SPECIFIED.
- SPECIFICATIONS ARE SUBJECT TO CHANGE WITHOUT NOTICE.
- LEADS TO BE SOLDERABLE AND CAPABLE OF MEETING THE SOLDERABILITY REQUIREMENTS OF MIL-STD-202, METHOD 208.
- MANUFACTURE DATE SHALL NOT BE OLDER THAN 26 WEEKS.
- TAPE AND REEL TO BE IN ACCORDANCE WITH STANDARD EIA-481-A

LEDTRONICS PART NO.	L.E.D. RADIATION COLOR	L.E.D. APPEARANCE	ABSOLUTE MAXIMUM RATINGS (Ta=25°C)				ELECTRO-OPTICAL CHARACTERISTICS (Ta=25°C)									
			Pd mW	Ifp mA	If mA	Vr V	Topr (°C)	If mA	Iv mod typ	Vf=V typ/max	VIEW ANGLE 2θ1/2	Ir max μA	C	Δλ nm	λD nm	λP nm
SML12YG4T-TR	YELLOW	WATER CLEAR	75	30	140	5	-40°C TO +85°C	20	12	2.1/2.5	120	10	20	35	588	590
	GREEN	WATER CLEAR	62.5	25	140	5	-40°C TO +85°C	20	20	2.2/2.5	120	10	15	30	568	565
SML12RG4T-TR	RED	WATER CLEAR	105	30	160	5	-40°C TO +85°C	20	30	2.0/2.5	120	10	15	45	625	627
	GREEN	WATER CLEAR	105	25	140	5	-40°C TO +85°C	20	20	2.2/2.5	120	10	15	30	568	565

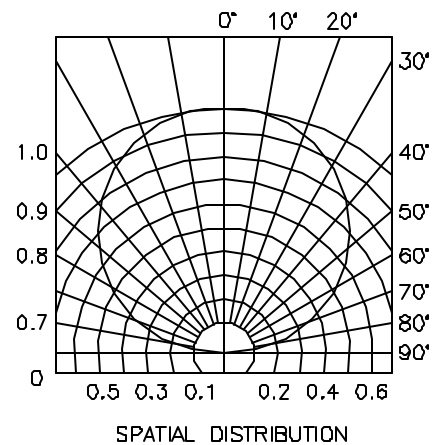
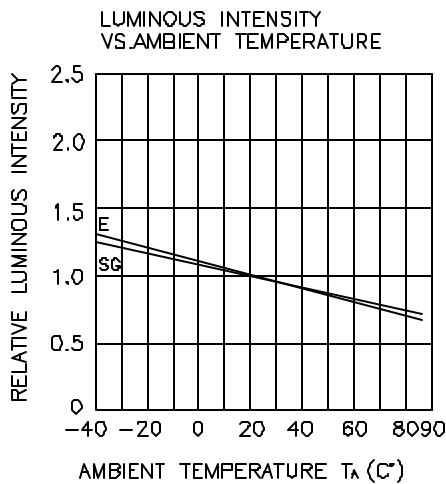
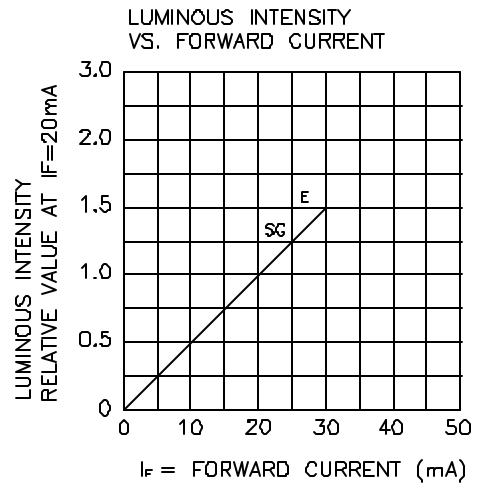
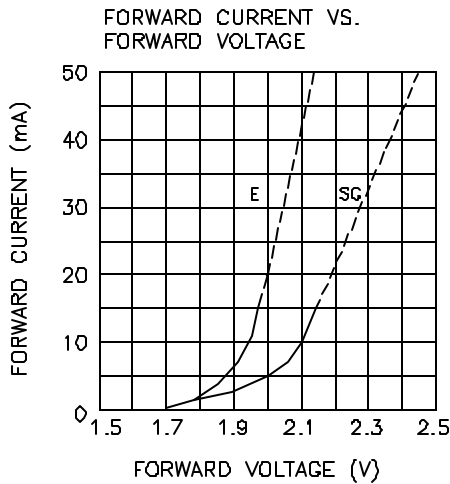
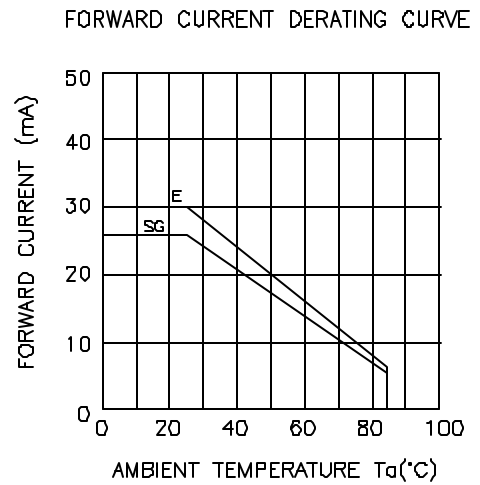
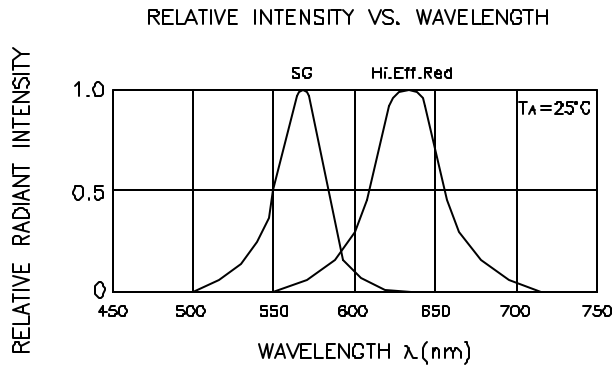
LEAD SOLDERING TEMP: [1.8mm (.063in) FROM BODY] 250°C FOR 5 SEC.

PROPRIETARY - This document contains Proprietary Information of LEDTRONICS, INC. It may not be copied, used or disclosed for any purpose without the prior express written consent of LEDTRONICS, INC.

.XX ± .010 TOLERANCE PER ANSI-Y14.5
.XX ± .025 (UNLESS OTHERWISE STATED)
ANGLES ± 0°.30°
FRACT. ± 1/32

TITLE		SML12XG4T-TR		
DWG NO	SCALE	SHEET	DATE	
DST0045	NONE	1 OF 1	10-08-97	
CODE IDENT NO.	DWG BY	CHK BY	QA GZ	MFG
8Z410	SMA	12-09-04	12-09-04	
CUSTOMER				

LTR	REVISION	DATE	APPD
-	RELEASED	12-08-04	



LED[®]
LEDTRONICS, INC.[™]
 23105 KASHIWA COURT
 TORRANCE, CA 90505

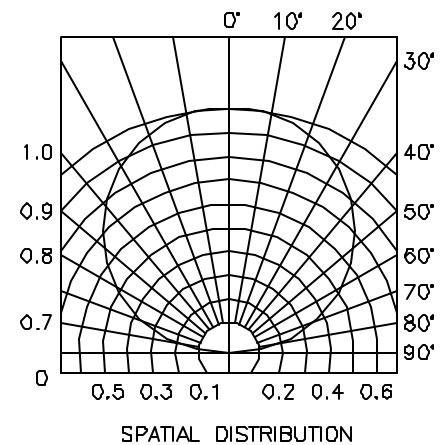
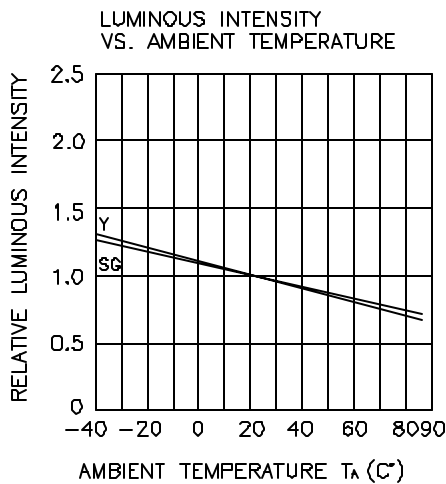
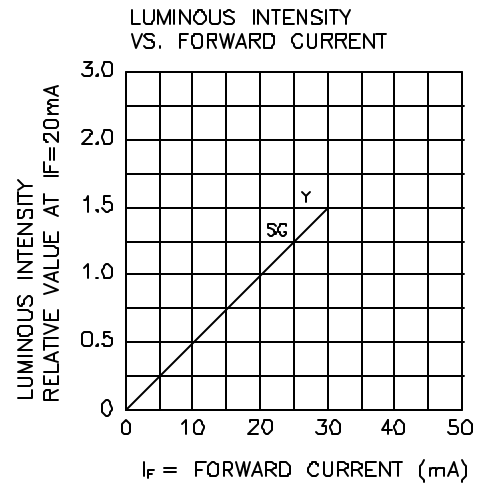
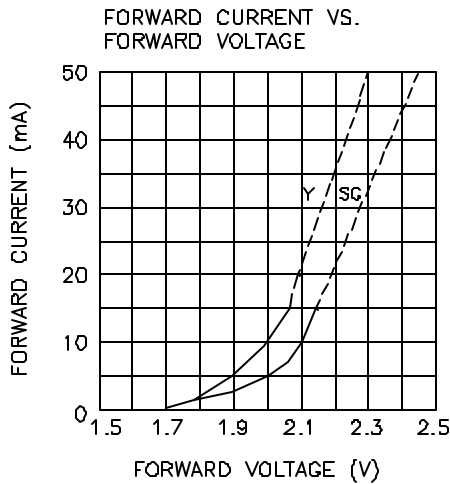
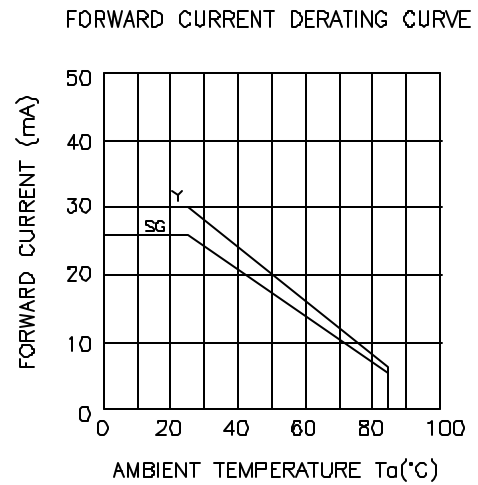
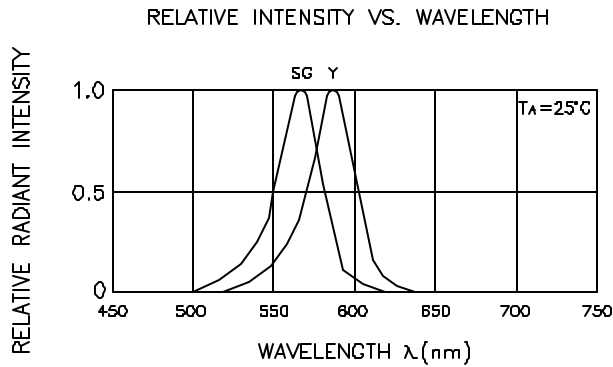
PROPRIETARY.
 This document contains Proprietary
 Information of LEDTRONICS, INC.
 It may not be copied, used or disclosed
 for any purpose without the prior express
 written consent of LEDTRONICS, INC.

.XXX ± .010 TOLERANCE PER ANSI-Y14.5
 .XX ± .025 (UNLESS OTHERWISE STATED)
 ANGLES ± 0°.30°
 FRACT. ± 1/32

TITLE **SML12RG4T-TR (SPECTRAL CURVES)**

DWG NO	SCALE	SHEET	DATE
DSTR0045-A	1:1	1 OF 1	12-08-04
CODE IDENT NO.	DWG BY	CHK BY	QA
8Z410	RR	PL	GZ
		12-09-04	12-09-04
MFG	CUSTOMER		

LTR	REVISION	DATE	APPD
-	RELEASED	12-08-04	



LED[®]
LEDTRONICS, INC.[™]
23105 KASHIWA COURT
TORRANCE, CA 90505

PROPRIETARY.
This document contains Proprietary
Information of LEDTRONICS, INC.
It may not be copied, used or disclosed
for any purpose without the prior express
written consent of LEDTRONICS, INC.

.XXX ± .010 TOLERANCE PER ANSI-Y14.5
.XX ± .025 (UNLESS OTHERWISE STATED)
ANGLES ± 0°.30°
FRACT. ± 1/32

TITLE **SML12YG4T-TR (SPECTRAL CURVES)**

DWG NO	SCALE	SHEET	DATE
DSTR0045-B	1:1	1 OF 1	12-08-04
CODE IDENT NO.	DWG BY	CHK BY	QA
8Z410	RR	PL	GZ
		12-09-04	12-09-04
MFG	CUSTOMER		