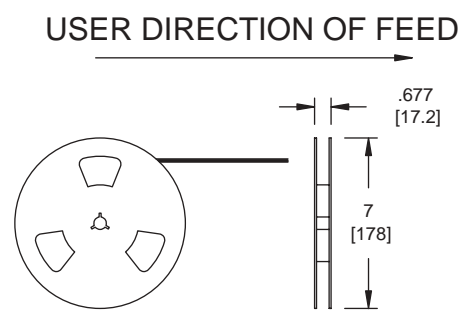
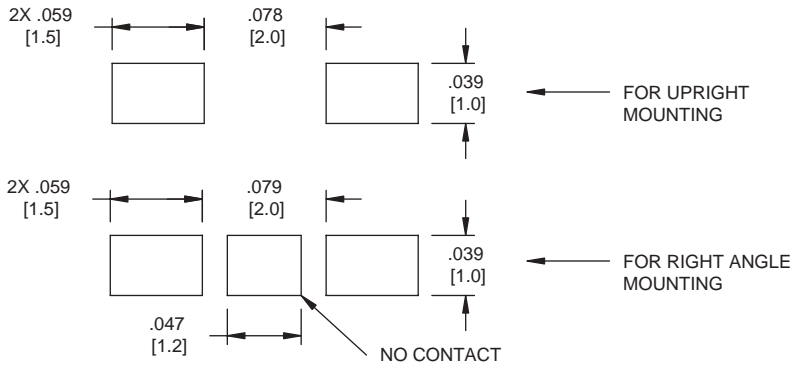
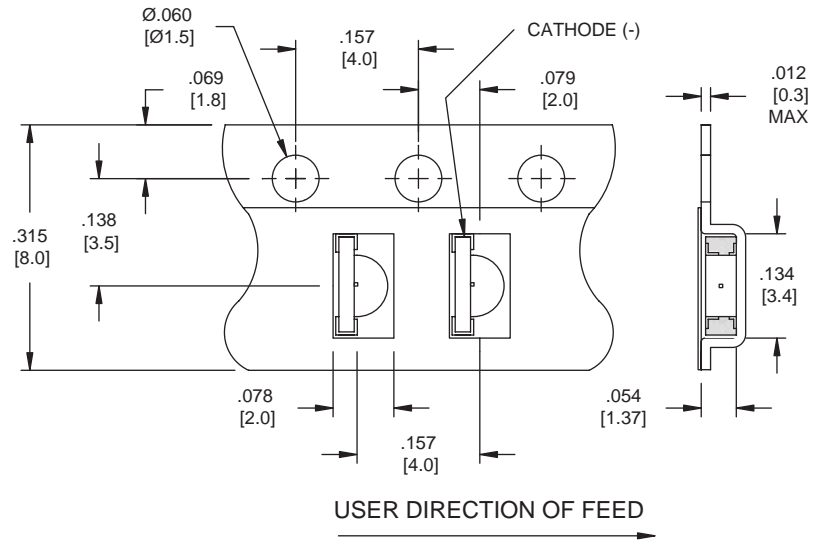
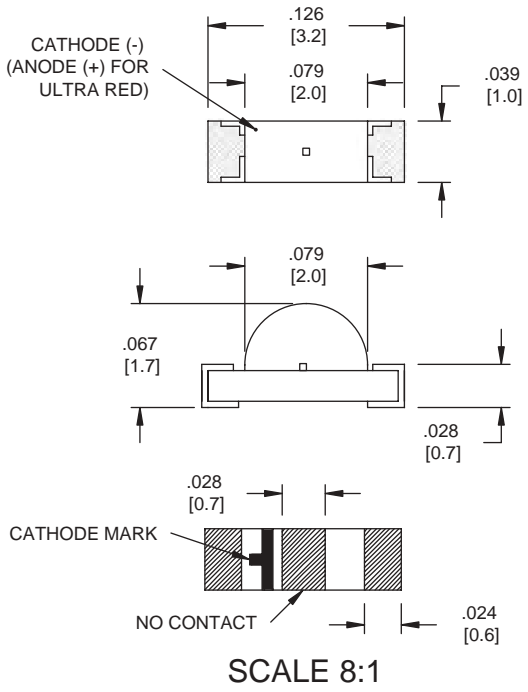


LTR	REVISION	DATE	APPD
F		08-06-03	WB



SUGGESTED PAD LAYOUT

NOTES:

- 7 INCH REEL - 3000 PIECES PER REEL
- ALL DIMS ARE IN INCHES (MILLIMETERS).
- TOLERANCE IS $\pm 0.010"$ ($\pm 0.25\text{mm}$) UNLESS OTHERWISE SPECIFIED.
- SPECIFICATIONS ARE SUBJECT TO CHANGE WITHOUT NOTICE.
- LEADS TO BE SOLDERABLE AND CAPABLE OF MEETING THE SOLDERABILITY REQUIREMENTS OF MIL-STD-202, METHOD 208.
- MANUFACTURE DATE SHALL NOT BE OLDER THAN 26 WEEKS.
- TAPE AND REEL TO BE IN ACCORDANCE WITH STANDARD EIA-481-A

LEDTRONICS PART NO.	L.E.D. RADIATION COLOR	L.E.D. APPEARANCE	ABSOLUTE MAXIMUM RATINGS (Ta=25°C)					ELECTRO-OPTICAL CHARACTERISTICS (Ta=25°C)						
			Pd mW	Ifp mA	If mA	Vr V	Topt (°C)	If mA	Iv mcd min/typ	Vf=V typ/max	VIEW ANGLE 2Θ1/2	Ir max μA	λ DOM. nm	λ Peak nm
SMR10R6H-TR	ULTRA RED	WATER CLEAR	100	100	30	5	-25 TO +80	20	8/20	1.8/2.6	105	100	643	660
SMR10R4H-TR	HI-EFF RED	WATER CLEAR	100	100	30	5	-25 TO +80	20	2.4/8	2.0/2.6	105	100	628	640
SMR10O4H-TR	ORANGE	WATER CLEAR	100	100	30	5	-25 TO +80	20	2.4/6	2.2/2.6	105	100	610	610
SMR10Y4H-TR	YELLOW	WATER CLEAR	100	100	30	5	-25 TO +80	20	3.7/10	2.1/2.6	105	100	585	583
SMR10G4H-TR	HI-EFF GREEN	WATER CLEAR	100	100	30	5	-25 TO +80	20	5.5/12	2.1/2.6	105	100	571	568
SMR10G5H-TR	HI-EFF GREEN	WATER CLEAR	100	100	30	5	-25 TO +80	20	5.5/12	2.2/2.6	105	100	570	568
SMR10PG4H-TR	PURE GREEN	WATER CLEAR	100	100	30	5	-25 TO +80	20	2.4/4	2.2/2.6	105	100	563	557

Tstg: -30°C TO +85°C

<p>LEDTRONICS INC[®] 23105 KASHIWA COURT TORRANCE, CA 90505</p>	-PROPRIETARY- This document contains Proprietary information of LEDTRONICS, INC. It may not be copied, used or disclosed for any purpose without the prior express written consent of LEDTRONICS, INC.		TITLE <h2 style="margin: 0;">SMR10XXH-TR</h2>			
	DWG NO DSTR0023		SCALE 1:1	SHEET 1 OF 1	DATE 01-21-99	
	CODE IDENT NO. 8Z410	DWG BY SMA	CHK BY PL 06-03-05	QA GZ 06-03-05	MFG	CUSTOMER
	.XXX ± .010 .XX ± .025 ANGLES ± 0°30' FRACT. ± 1/32		TOLERANCE PER ANSI-Y14.5 (UNLESS OTHERWISE STATED)			