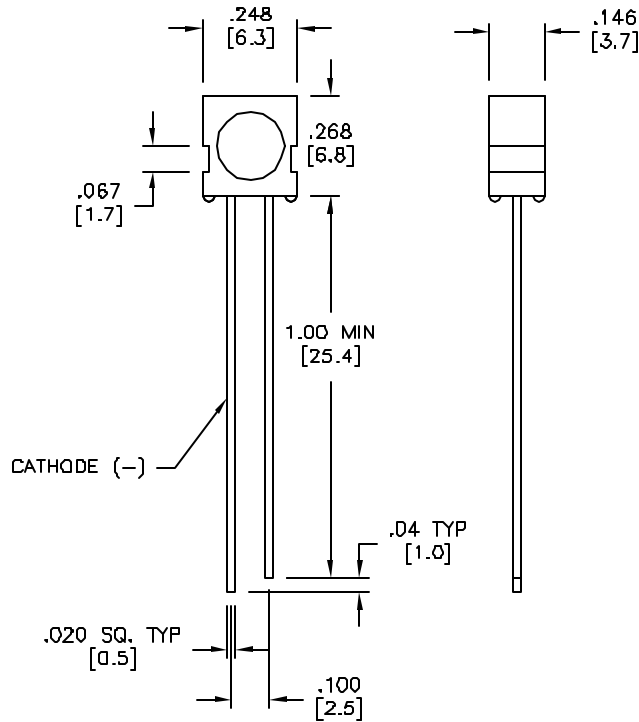
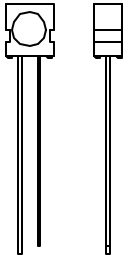


LTR	REVISION	DATE	APPD
-	RELEASED	08-05-96	PL
A	REVERSED PART NO.'S G3 AND Y3	9-23-96	

Actual Size



NOTES:

1. ALL DIMS ARE IN INCHES (MILLIMETERS).
2. TOLERANCE IS ± 0.010 " (± 0.25 mm) UNLESS OTHERWISE SPECIFIED.
3. PROTRUDED RESIN UNDER FLANGE IS .059" (1.5mm) MAX.
4. LEAD SPACING IS MEASURED WHERE LEADS EMERGE FROM THE PACKAGE.
5. SPECIFICATIONS ARE SUBJECT TO CHANGE WITHOUT NOTICE.

LEDTRONICS PART NO.	LENS TYPE	L.E.D. RADIATION COLOR	ABSOLUTE MAXIMUM RATINGS ($T_a=25^\circ\text{C}$)					ELECTRO-OPTICAL CHARACTERISTICS ($T_a=25^\circ\text{C}$)					
			P_d mW	I_f mA	I_f mA	V_r V	T_{opr} ($^\circ\text{C}$)	I_f mA typ	I_v mcd typ	$V_f=V$ typ/max	VIEW ANGLE	I_r max μA	λ_P nm
LB2512R3	DIFFUSED	HI-EFF RED	100	150	30	5		20	8.0	2.0/2.6	100	100	635
LB2512Y3	DIFFUSED	YELLOW	100	150	30	5		20	7.0	2.1/2.6	100	100	585
LB2512G3	DIFFUSED	HI-EFF GREEN	100	150	30	5		20	9.0	2.2/2.6	100	100	568

LED[®]
LEDTRONICS, INC.[™]
 4009 PACIFIC COAST HWY
 TORRANCE, CA 90505

-PROPRIETARY-
 This document contains Proprietary Information of LEDTRONICS, INC.
 It may not be copied, used or disclosed for any purpose without the prior express written consent of LEDTRONICS, INC.
 .00X \pm .010 TOLERANCE PER ANSI-Y14.5
 .XX \pm .025 (UNLESS OTHERWISE STATED)
 ANGLES \pm 0°.30°
 FRACT. \pm 1/32

TITLE			
LB2512X3			
DWG NO	SCALE	SHEET	DATE
DSMS0012	2:1	1 OF 1	08-05-96
CODE IDENT NO.	DWG BY	CHK BY	QC
BZ410	SMA	PL	
CUSTOMER			
GENERIC			