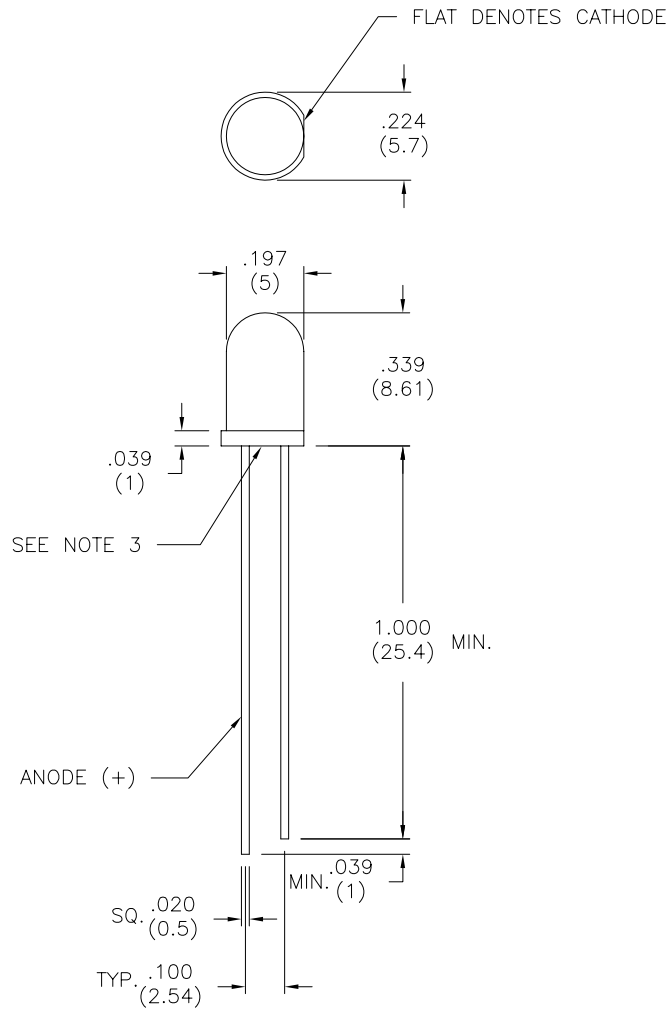
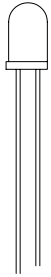


LTR	REVISION	DATE	APPD
-	RELEASED	02-12-96	



NOTES:

1. ALL DIMENSIONS ARE IN INCHES (mm).
2. TOLERANCE IS ± 0.010 " (0.25mm)
3. PROTRUDED RESIN UNDER FLANGE IS .059" (1.5mm) MAX.
4. LEAD SPACING IS MEASURED WHERE THE LEADS EMERGE FROM PACKAGE.
5. SPECIFICATIONS ARE SUBJECT TO CHANGE WITHOUT NOTICE.
6. OPERATING TEMPERATURE RANGE -20°C TO 85°C
STORAGE TEMPERATURE RANGE -30°C TO 95°C
7. LEAD SOLDER TEMPERATURE (1/16 INCH FROM CASE) 5 SEC. 250°C

LEDTRONICS PART NO.	L.E.D. RADIATION COLOR	ELECTRO-OPTICAL CHARACTERISTICS ($T_a=25^{\circ}\text{C}$)			
		If=mA min/max	Iv mcd typ	Vf=V typ	λ_P nm
L200TR4A-5V	HI-EFF RED	10/15	28	5	635
L200TY4A-5V	YELLOW	10/15	28	5	585
L200TG4A-5V	GREEN	10/15	28	5	565

LED[®]
LEDTRONICS,™ INC.
23105 KASHIWA COURT
TORRANCE, CA 90505

-PROPRIETARY-
This document contains Proprietary information of LEDTRONICS,™ INC. It may not be copied, used or disclosed for any purpose without the prior express written consent of LEDTRONICS,™ INC.

.XXX \pm .010 TOLERANCE PER ANSI-Y14.5
.XX \pm .025 (UNLESS OTHERWISE STATED)
ANGLES \pm 0',30'
FRACT. \pm 1/32

TITLE				L200TX4A-5V			
DWG NO		SCALE		SHEET		DATE	
DSDD0012		2:1		1 OF 1		02-12-96	
CODE IDENT NO.	DWG BY	CHK BY	QC	CUSTOMER			
8Z410	JCH	PL		GENERIC			