

L200CWRGB1K-4A-IL

Green/Red/Blue

5mm, Flanged Cylindrical, 8.7mm Height
60° viewing angle

DWG BY:
BL / GP
10-10-06

CHK BY:
PL
08-20-07

QA:

__-__-__

MFG:

__-__-__

REVISION LTR: -

08-20-07

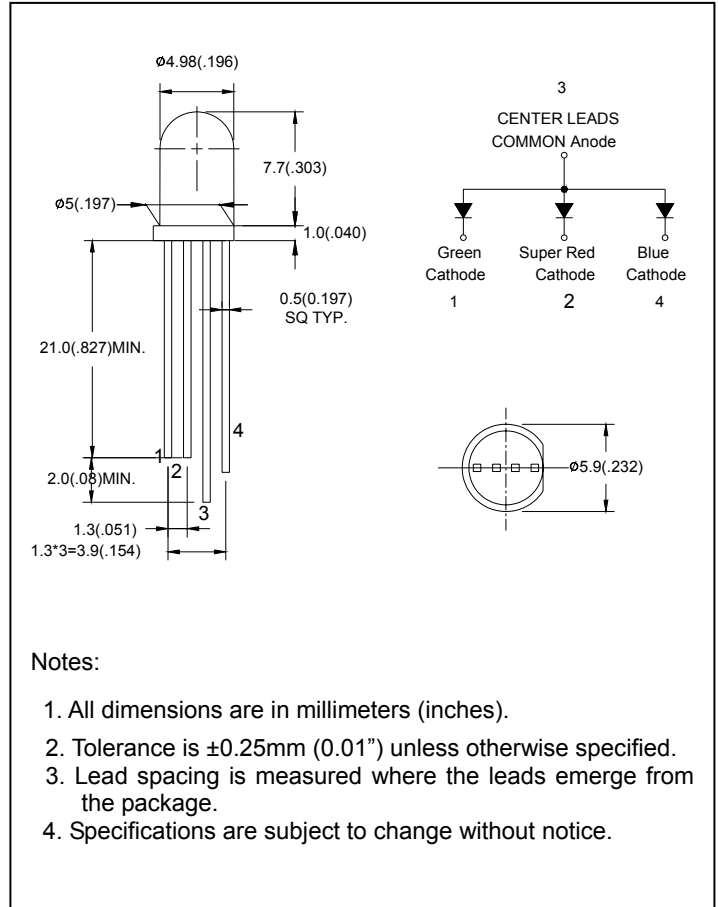
● **Features:**

1. Chip material: AlInGaN (Green) and AlGaInP/GaAs (Red) and AlInGaN(Blue)
2. Emitted color : Green and Super Red and Super Blue
3. Lens Appearance : Water Clear
4. Low power consumption.
5. High efficiency.
6. Versatile mounting on P.C. Board or panel.
7. Low current requirement.
8. 5mm diameter package
9. This product is RoHS compliant.

● **Applications:**

1. TV set
2. Monitor
3. Telephone
4. Computer
5. Circuit board

● **Package dimensions:**



● **Absolute Maximum Ratings(Ta=25°C)**

Parameter	Symbol	Green	Super Red	Super Blue	Unit
Power Dissipation	Pd	120	100	120	mW
Forward Current	I _F	30	30	30	mA
Peak Forward Current* ¹	I _{FP}	150	150	150	mA
Reverse Voltage	V _R	5			V
Operating Temperature	Topr	-40°C ~ 80°C			
Storage Temperature	Tstg	-40°C ~ 85°C			
Soldering Temperature	Tsol	260°C (for 5 seconds)			

*¹Condition for I_{FP} is pulse of 1/10 duty and 0.1msec width.

● **Electrical and optical characteristics(Ta=25°C)**

Parameter	Symbol	Condition	Color	Min.	Typ.	Max.	Unit
Forward Voltage	V_F	$I_F=20mA$	Green Red Blue	-	3.3 2.0 3.2	4.0 2.6 4.0	V
Luminous Intensity	I_V	$I_F=20mA$	Green Red Blue	-	2000 915 400	-	mcd
Reverse Current	I_R	$V_R=5V$	Green Red Blue	-	-	100	μA
Peak Wave Length	λ_p	$I_F=20mA$	Green Red Blue	-	518 632 461	-	nm
Dominant Wave Length	λ_d	$I_F=20mA$	Green Red Blue	- - -	525 623 467	- - -	nm
Spectral Line Half-width	$\Delta \lambda$	$I_F=20mA$	Green Red Blue	- - -	35 19 28	-	nm
Viewing Angle	$2\theta_{1/2}$	$I_F=20mA$	Green Red Blue	-	60	-	deg
Chromaticity Coordinates	X	$I_F=20mA$	Green	-	0.16	-	
	Y			-	0.71	-	
Chromaticity Coordinates	X	$I_F=20mA$	Red	-	0.69	-	
	Y			-	0.30	-	
Chromaticity Coordinates	X	$I_F=20mA$	Blue	-	0.13	-	
	Y			-	0.06	-	

● **Typical Electro-Optical Characteristics Curves**

