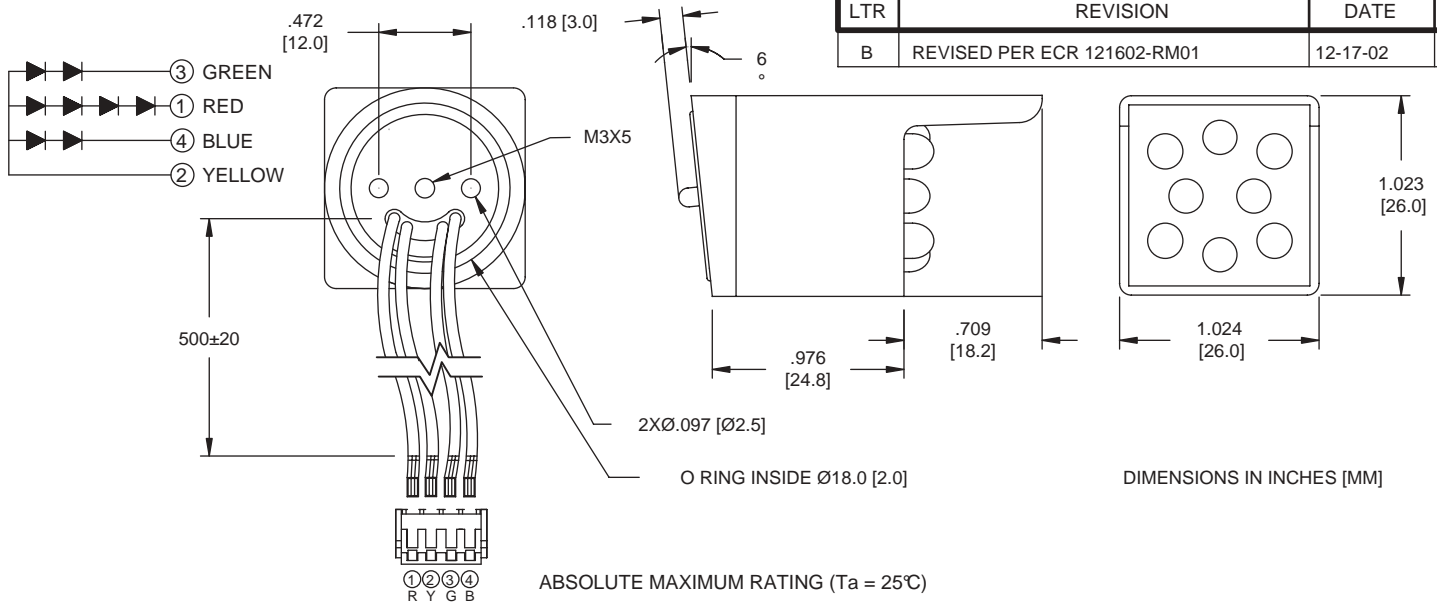


LTR	REVISION	DATE	APPD
B	REVISED PER ECR 121602-RM01	12-17-02	RM



ABSOLUTE MAXIMUM RATING (Ta = 25°C)

ITEM	SYMBOL	CONDITION		RATING	UNIT
SUPPLY CURRENT	I _F	RED	1 X 25mA	25	mA
		GREEN	1 X 25mA	25	
		BLUE	1 X 25mA	25	
REVERSE VOLTAGE	V _R	RED	4 X 5V	20	V
		GREEN	2 X 5V	10	
		BLUE	2 X 5V	10	
OPERATION AMBIENT TEMPERATURE	T _{opr}	-	-	-20 ~ 70	°C
STORAGE TEMPERATURE	T _{stg}	-	-	-30 ~ 80	°C

MAIN SPECIFICATION (Ta = 25°C)

ITEM	SYMBOL	CONDITION		RATING			UNIT
				MIN	TYP	MAX	
FORWARD VOLTAGE	V _F	RED	If = 20mA	-	8.0	10.0	V
		GREEN	If = 20mA	-	7.0	8.0	
		BLUE	If = 20mA	-	7.2	8.0	
REVERSE CURRENT	I _R	RED	Vr = 20V	-	-	100	uA
		GREEN	Vr = 10V	-	-	50	
		BLUE	Vr = 10V	-	-	50	
DOMINANT WAVELENGTH	λ _D	RED	If = 20mA	620	624	628	nm
		GREEN	If = 20mA	525	530	535	
		BLUE	If = 20mA	465	470	475	
LUMINOUS INTENSITY	I _v	RED	If = 20mA	800	1200	1560	mcd
		GREEN	If = 20mA	2520	3000	3600	
		BLUE	If = 20mA	890	1060	1260	
VIEW ANGLE (50% I _v)	Δθ	WHOLE	If = 60mA	96	120	-	Degree
WEIGHT OF PRODUCT	-	WHOLE	-	-	25	-	Gram

RECOMMENDED SETTING FOR ACHEIVING WHITE BALANCE

LED	CURRENT (mA)	BRIGHTNESS (Iv%)	MIXED (nits)	X-VALUE	Y-VALUE
ULTRA RED	16.3	28	5000	0.313	0.329
PURE GREEN	11.9	63			
SUPER BLUE	6.5	9			



-PROPRIETARY-
 This document contains Proprietary information of LEDTRONICS, INC.™ It may not be copied, used or disclosed for any purpose without the prior express written consent of LEDTRONICS, INC.™

.XXX ± .010 TOLERANCE PER ANSI-Y14.5 (UNLESS OTHERWISE STATED)
 .XX ± .025
 ANGLES ± 0°:30'
 FRACT. ± 1/32

TITLE RGB-1005-001					
DWG NO G1005001		SCALE 1:1	SHEET 1 OF 1	DATE 05-22-01	
CODE IDENT NO. 8Z410	DWG BY RM	CHK BY PL	QA	MFG	CUSTOMER