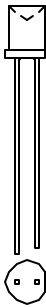
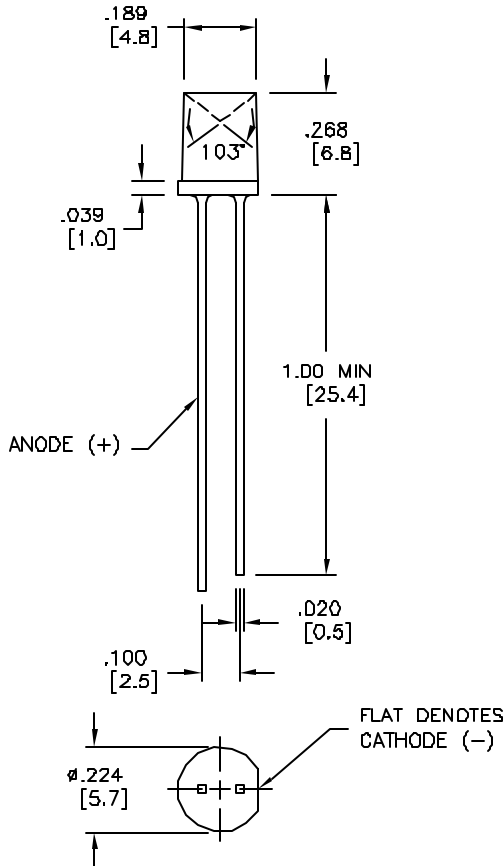


Actual Size



LTR	REVISION	DATE	APPD
-	RELEASED	08-21-03	
A	RVSD PER ECR 091103-RM01	09-11-03	RM
B	RVSD PER ECR 010804-PL01	01-08-04	RM



NOTES:

1. ALL DIMS ARE IN INCHES (MILLIMETERS).
2. TOLERANCE IS  $\pm 0.010"$  ( $\pm 0.25\text{mm}$ ) UNLESS OTHERWISE SPECIFIED.
3. LEAD SPACING IS MEASURED WHERE LEADS EMERGE FROM THE PACKAGE.
4. LEADS TO BE SOLDERABLE AND CAPABLE OF MEETING THE SOLDERABILITY REQUIREMENTS OF MIL-STD-202, METHOD 208.
5. MANUFACTURE DATE SHALL NOT BE OLDER THAN 26 WEEKS (6 MONTHS).
6. L.E.D. APPEARANCE: WATER CLEAR

LEDTRONICS PART NO.	L.E.D. RADIATION COLOR	ABSOLUTE MAX. RATINGS (Ta=25°C)				ELECTRO-OPTICAL CHARACTERISTICS (Ta=25°C)									CHROMATICITY COORDINATES		RADIANT INTENSITY $\mu\text{W}/\text{sr}$
		Pd mW	Ifp mA	If mA	Vf V	If typ	Iv mod typ	Vf=V typ/max	VIEW ANGLE 201/2	If max $\mu\text{A}$	$\Delta\lambda$ nm	$\lambda_{DOM}$ nm	$\lambda_{Peak}$ nm	X	Y		
CL200-0UR-120D	ULTRA RED	65	150	30	5	20	70	2.0/2.6	110	100	23	640	655	.7195	.2805	989.7	
CL200-0UO-120D	SUPER ORANGE	100	150	30	5	20	106	2.0/2.6	110	100	17	600	606	.6286	.3710	266.6	
CL200-0UY-120D	SUPER YELLOW	100	150	30	5	20	165	2.2/2.6	110	100	15	592	596	.5888	.4125	343.9	
CL200-1AG-120D	AQUA GREEN	120	150	30	5	20	364	3.5/4.0	110	100	30	533	525	.2136	.6804	731.0	
CL200-1PB-120D	SUPER BLUE	120	150	30	5	20	80	3.5/4.0	110	100	30	467	461	.1360	.0542	1283.7	
CL200-1CW-120D	WHITE	100	100	30	5	20	349	3.5/4.0	110	100	-	-	-	.3358	.9893	1245.6	

Topr: -40°C TO +80°C Tslg: -40°C TO +85°C  
 LEAD SOLDERING TEMP: [1.6mm (.063in) FROM BODY] 260°C FOR 5 SEC.

 LEDTRONICS, INC. 23105 KASHIWA COURT TORRANCE, CA 90505	PROPRIETARY- This document contains Proprietary Information of LEDTRONICS, INC. It may not be copied, used or disclosed for any purpose without the prior express written consent of LEDTRONICS, INC.		TITLE <b>CL200-XXX-120D</b>			
	DWG NO	SCALE	SHEET	DATE		
	DSDY0031	2:1	1 OF 1	08-21-03		
CODE IDENT NO.	DWG BY	CHK BY	QA	MFG	CUSTOMER	
8Z410	RM	PL 01-09-04				

.XX ± .010 TOLERANCE PER ANSI-Y14.5  
 .XX ± .025 (UNLESS OTHERWISE STATED)  
 ANGLES ± 0°.30°  
 FRACT. ± 1/32