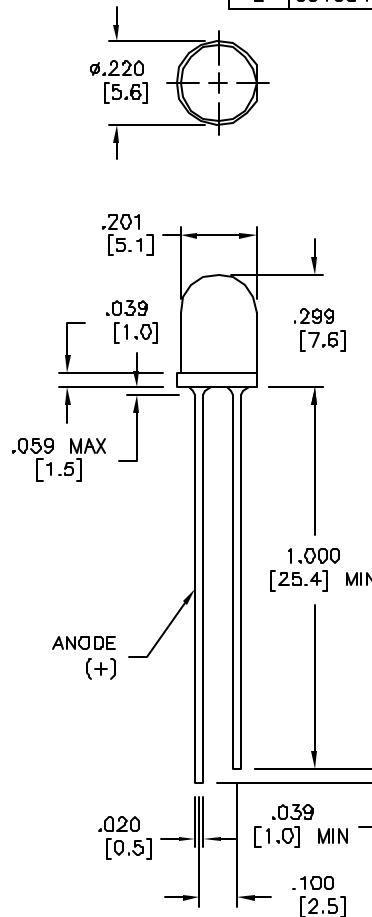


LTR	REVISION	DATE	APPD
-	RELEASED	07-06-00	
A	RVSD PER ECR 010402-RM01	01-04-02	RM
B	RVSD PER ECR 042902-RM01	04-29-02	RM
C	RVSD PER ECR 042803-JH02	05-01-03	WB
D	RVSD PER ECR 031204-PL01	03-12-04	RM
E	091604-PL01:REMOVED L190CWPB1KB-50D	09-16-04	RM




NOTES:

1. ALL DIMS ARE IN INCHES (MILLIMETERS).
2. TOLERANCE IS $\pm 0.010"$ ($\pm 0.25\text{mm}$) UNLESS OTHERWISE SPECIFIED.
3. LEAD SPACING IS MEASURED WHERE LEADS EMERGE FROM THE PACKAGE.
4. LEADS TO BE SOLDERABLE AND CAPABLE OF MEETING THE SOLDERABILITY REQUIREMENTS OF MIL-STD-202, METHOD 208.
5. MANUFACTURE DATE SHALL NOT BE OLDER THAN 26 WEEKS (6 MONTHS).

LEDTRONICS PART NO.	L.E.D. RADIATION COLOR	L.E.D. APPEARANCE	ABSOLUTE MAXIMUM RATINGS ($T_a=25^\circ\text{C}$)					ELECTRO-OPTICAL CHARACTERISTICS ($T_a=25^\circ\text{C}$)						
			P_d mW	I_{fp} mA	I_f mA	V_r V	T_{opr} ($^\circ\text{C}$)	I_f mA	I_v mod typ	$V_f=V$ typ/max	VIEW ANGLE $2\theta_{1/2}$	I_r max μA	$\Delta\lambda$ nm	λ_{pk} nm
L190CW03KF-50D	SUPER ORANGE	WATER CLEAR	100	150	30	5	-40 TO +80	20	1200	2.2/2.6	45	100	17	611
L190CWR3KF-50D	ULTRA RED	WATER CLEAR	65	150	30	5	-40 TO +80	20	800	2.0/2.6	45	100	20	660
L190CWE3KF-50D	SUPER RED	WATER CLEAR	100	150	30	5	-40 TO +85	20	1800	2.2/2.4	45	100	17	630
L190CWY3KF-50D	SUPER YELLOW	WATER CLEAR	100	150	30	5	-40 TO +85	20	2500	2.2/2.6	30	100	15	595
L190CWPB2KB-50D	SUPER BLUE	WATER CLEAR	100	100	30	5	-40 TO +80	20	500	3.5/4.0	45	100	20	470
L190CWBG2KB-50D	BLUE GREEN	WATER CLEAR	110	100	30	5	-40 TO +80	20	500	3.5/4.0	45	100	30	502
L190CWG1K-50D	SUPER GREEN	WATER CLEAR	110	150	30	5	-40 TO +85	20	560	2.0/2.6	45	100	15	570
L190CW1KB-50D*	COOL WHITE	WATER CLEAR	120	100	30	5	-40 TO +85	20	450	3.6/4.0	50	100	-	-

T_{stg} : -40°C TO +85°C (100°C)*
 LEAD SOLDERING TEMP: [1.6mm (.063in) FROM BODY] 260°C FOR 5 SEC.

 LEDTRONICS, INC. 23105 KASHIWA COURT TORRANCE, CA 90505	PROPRIETARY. This document contains Proprietary Information of LEDTRONICS, INC. It may not be copied, used or disclosed for any purpose without the prior express written consent of LEDTRONICS, INC.	TITLE L190CWXX-50D			
	.XXX \pm .010 TOLERANCE PER ANSI-Y14.5 .XX \pm .025 (UNLESS OTHERWISE STATED) ANGLES \pm 0°.30° FRACT. \pm 1/32	DWG NO DSDC0079	SCALE 2:1	SHEET 1 OF 1	DATE 07-06-00
	CODE IDENT NO. 8Z410	DWG BY SMA	CHK BY PL	QA JCH	MFG 09-17-04
CUSTOMER				DATE 07-06-00	