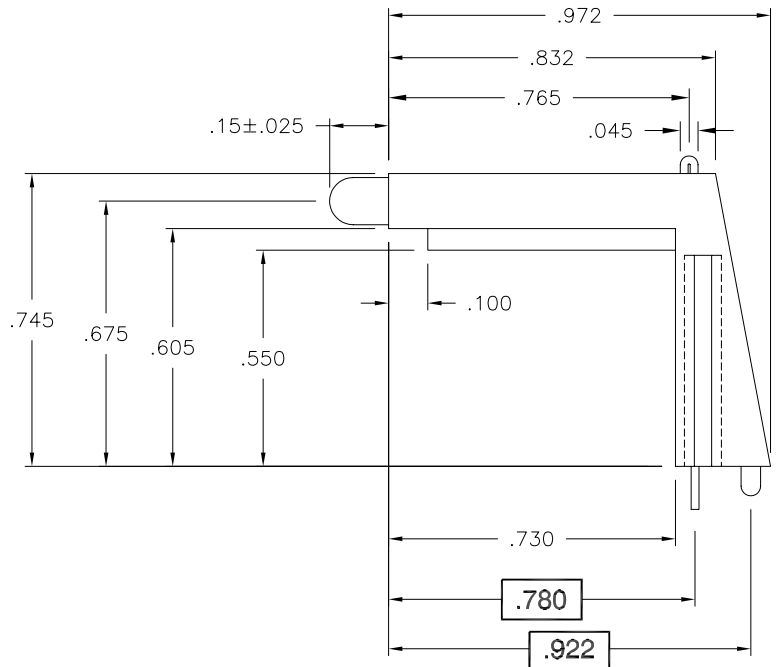
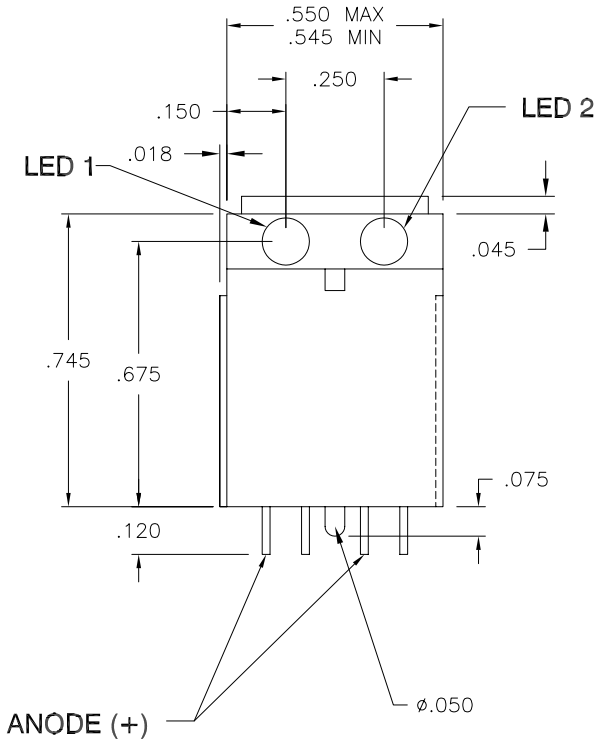
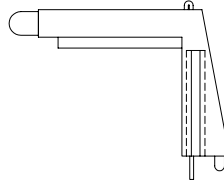
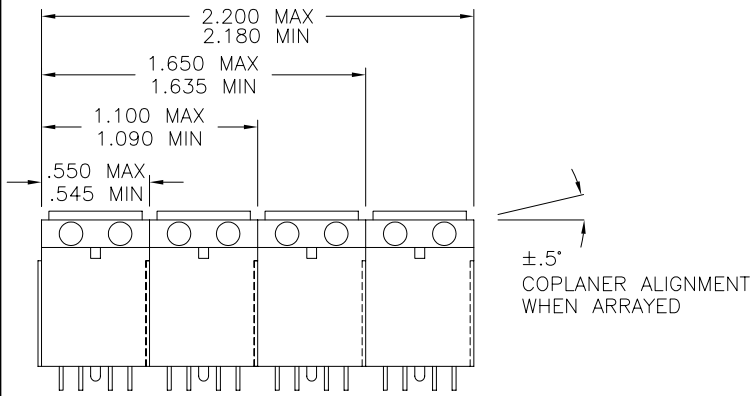


LTR	REVISION	DATE	APPD
-	REDRAWN FROM DWG NO P1269001	06-05-95	
A	REVISED PER ECR 091201-RA01	10-10-01	JB
B	REVISED PER ECR 110501-RA01	11-27-01	JB
C	REVISED PER ECR 112702-SB01	12-02-02	WB

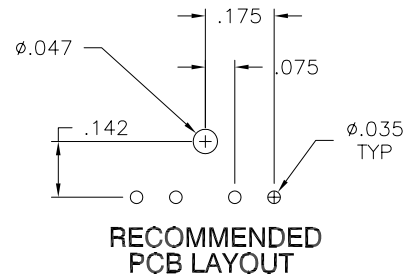
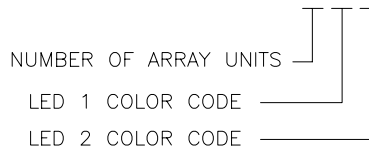


**NOTES**

1. MATERIAL IS BLACK NYLON 66 (UL94V-0).

CODE	COLOR	λP nm
1	ULTRA RED	660
2	HI-EFF RED	635
3	ORANGE	605
4	YELLOW	585
6	GREEN	565
8	BLUE	470
G	ULTRA GREEN	565
Y	ULTRA YELLOW	590

**PCB-1202-XXX**



**LED<sup>®</sup>**  
**LEDTRONICS, INC.**  
 23105 KASHIWA COURT  
 TORRANCE, CA 90505

**-PROPRIETARY-**  
 This document contains Proprietary information of LEDTRONICS, INC.. It may not be copied, used or disclosed for any purpose without the prior express written consent of LEDTRONICS, Inc..

.XXX ± .010 TOLERANCE PER ANSI-Y14.5  
 .XX ± .025 (UNLESS OTHERWISE STATED)  
 ANGLES ± 0',30'  
 FRACT. ± 1/32

**TITLE**  
**ASSY PCB-1202-XXX**

DWG NO	SCALE	SHEET	DATE
P1202003	2:1	1 OF 1	06-05-95
CODE IDENT NO.	DWG BY	CHK BY	QA
8Z410	JCH	JCH	12-04-02
MFG SB	CUSTOMER		
12-03-02	GENERIC		