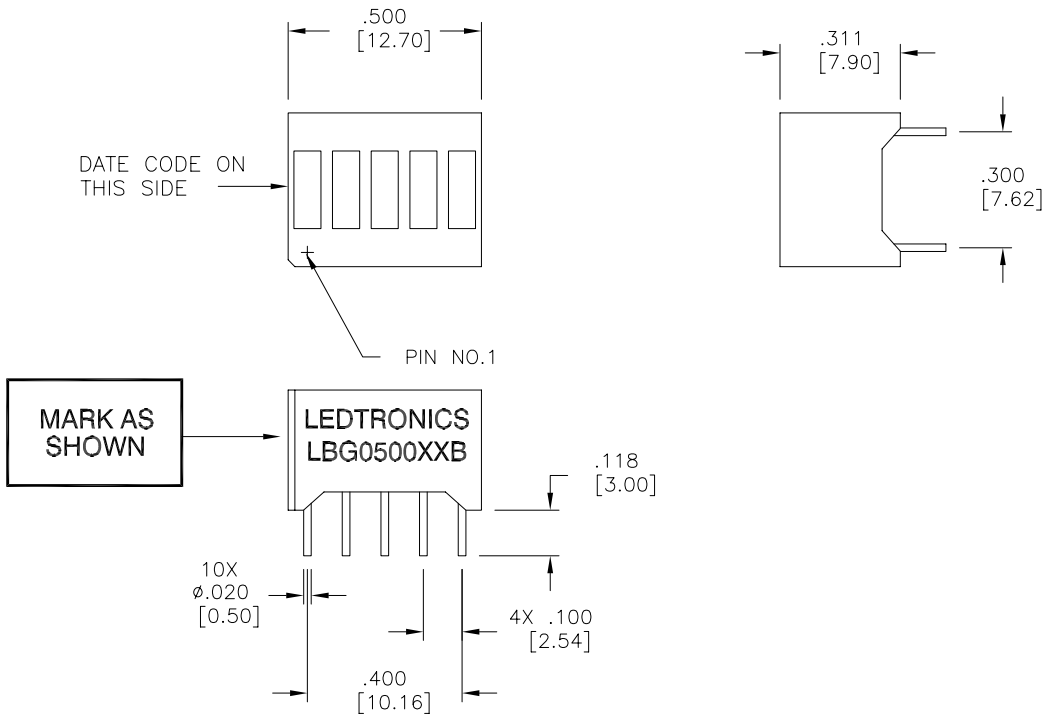
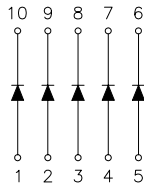


LTR	REVISION	DATE	APPD
-	RELEASED	01-26-99	
A	RSVD PER ECR 081500-SA04	08-28-00	CM
B	RSVD PER ECR 010801-RM01	01-08-01	RM
C	RSVD PER ECR 052301-JB01	05-25-01	JB
D	RSVD PER ECR 020602-JH01	02-11-02	WB



LBG0500E3KB USES J7 CHIP

LEDTRONICS PART NO.	L.E.D. RADIATION COLOR	SURFACE COLOR	SEGMENT COLOR	ABSOLUTE MAXIMUM RATINGS (Ta=25°C)					ELECTRO-OPTICAL CHARACTERISTICS (Ta=25°C)				
				Pd mW	Ifp mA	If mA	Vr V	ToPr (°C)	If mA	Iv mcd typ	Vf=V typ/max	Ir max μA	λPeak nm
LBG0500R6B	SUPER RED	BLACK	WHITE	60	150	30	5	-40 TO +80	10	12.0	1.7/2.5	100	660
LBG0500R3B	HI-EFF RED	BLACK	WHITE	100	150	30	5	-40 TO +80	10	5.0	1.9/2.5	100	635
LBG0500Y3B	YELLOW	BLACK	WHITE	100	150	30	5	-40 TO +80	10	4.5	2.0/2.5	100	585
LBG0500G3B	HI-EFF GREEN	BLACK	WHITE	100	150	30	5	-40 TO +80	10	5.0	2.1/2.5	100	565
LBG0500G3B	HI-EFF GREEN	BLACK	WHITE	100	150	30	5	-40 TO +80	10	5.0	2.1/2.5	100	565
LBG0500E3KB	SUPER RED	BLACK	WHITE	100	150	30	5	-40 TO +80	10	28.0	2.2/2.6	50	630

Tstg: -40°C TO +100°C
LEAD SOLDERING TEMP: [1.6mm (.063in) FROM BODY] 260°C FOR 5 SEC.

LED[®]
LEDTRONICS,™ INC.
23105 KASHIWA COURT
TORRANCE, CA 90505

-PROPRIETARY-
This document contains Proprietary information of LEDTRONICS, INC. It may not be copied, used or disclosed for any purpose without the prior express written consent of LEDTRONICS, INC.
 .XXX ± .010 TOLERANCE PER ANSI-Y14.5
 .XX ± .025 (UNLESS OTHERWISE STATED)
 ANGLES ± 0°,30'
 FRACT. ± 1/32

TITLE			
LBG0500XXXB			
DWG NO	SCALE	SHEET	DATE
SDBG0016	2:1	1 OF 1	01-26-99
CODE IDENT NO.	DWG BY	CHK BY	QA JCH MFG RA
8Z410	SMA		07-26-0207-26-02
CUSTOMER			