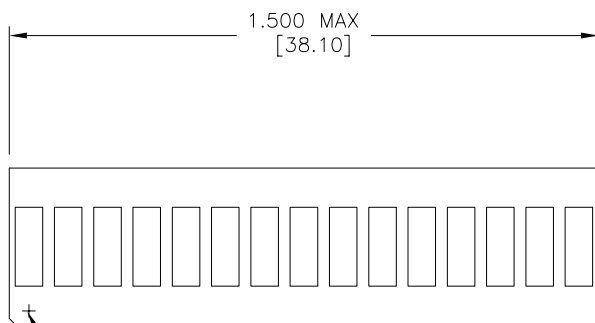
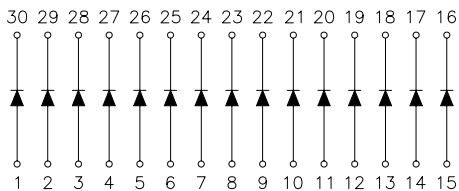
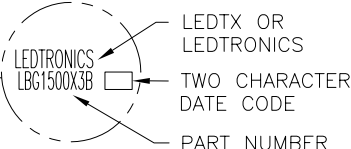
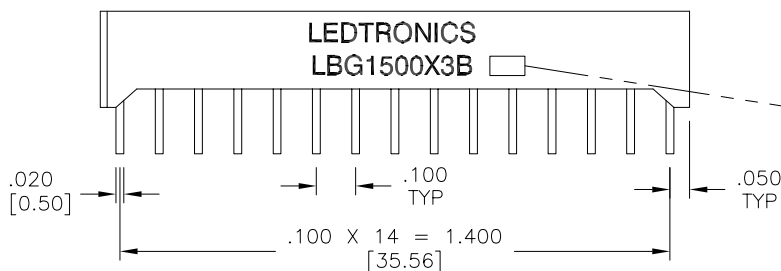
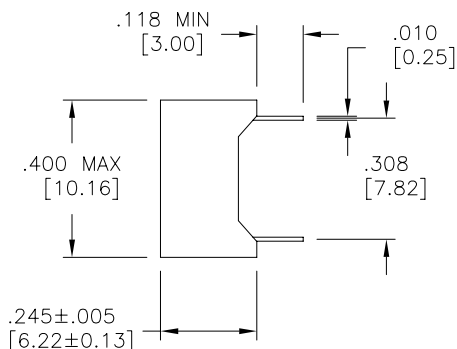


LTR	REVISION	DATE	APPD
C	102903-JH11: REMOVED P/N LBG1500R6B	01-22-08	GP



PIN NO.1



REVISION NOTIFICATION	
<input type="checkbox"/>	PMA
<input type="checkbox"/>	UL
<input type="checkbox"/>	CUSTOMER _____
<input type="checkbox"/>	OTHER

LEDTRONICS PART NO.	L.E.D. RADIATION COLOR	SURFACE COLOR	SEGMENT COLOR	ABSOLUTE MAXIMUM RATINGS (Ta=25°C)					ELECTRO-OPTICAL CHARACTERISTICS (Ta=25°C)					
				Pd mW	Ifp mA	If mA	Vr V	ToPr (°C)	If mA	Iv mcd typ	Vf=V typ/max	Ir max μA	λPeak nm	
LBG1500R3B	HI-EFF RED	BLACK	WHITE	100	150	30	5	-40 TO +85	10	5.0	1.9/2.5		100	635
LBG1500Y3B	YELLOW	BLACK	WHITE	100	150	30	5	-40 TO +85	10	4.5	2.0/2.5		100	585
LBG1500G3B	HI-EFF GREEN	BLACK	WHITE	100	150	30	5	-40 TO +85	10	5.0	2.1/2.5		100	565

Tstg: -40°C TO +100°C
LEAD SOLDERING TEMP: [1.6mm (.063in) FROM BODY] 260°C FOR 5 SEC.

-PROPRIETARY-
This document contains Proprietary information of LEDTRONICS, INC. It may not be copied, used or disclosed for any purpose without the prior express written consent of LEDTRONICS, INC.

.XXX ± .010 TOLERANCE PER ANSI-Y14.5
.XX ± .025 (UNLESS OTHERWISE STATED)
ANGLES ± 0°,30'
FRACT. ± 1/32

TITLE LBG1500X3B					
DWG NO SDBG0015		SCALE 2:1	SHEET 1 OF 1	DATE 01-26-99	
CODE IDENT NO. 8Z410	DWG BY SMA	CHK BY PL	QA 01-22-08	MNFG	CUSTOMER