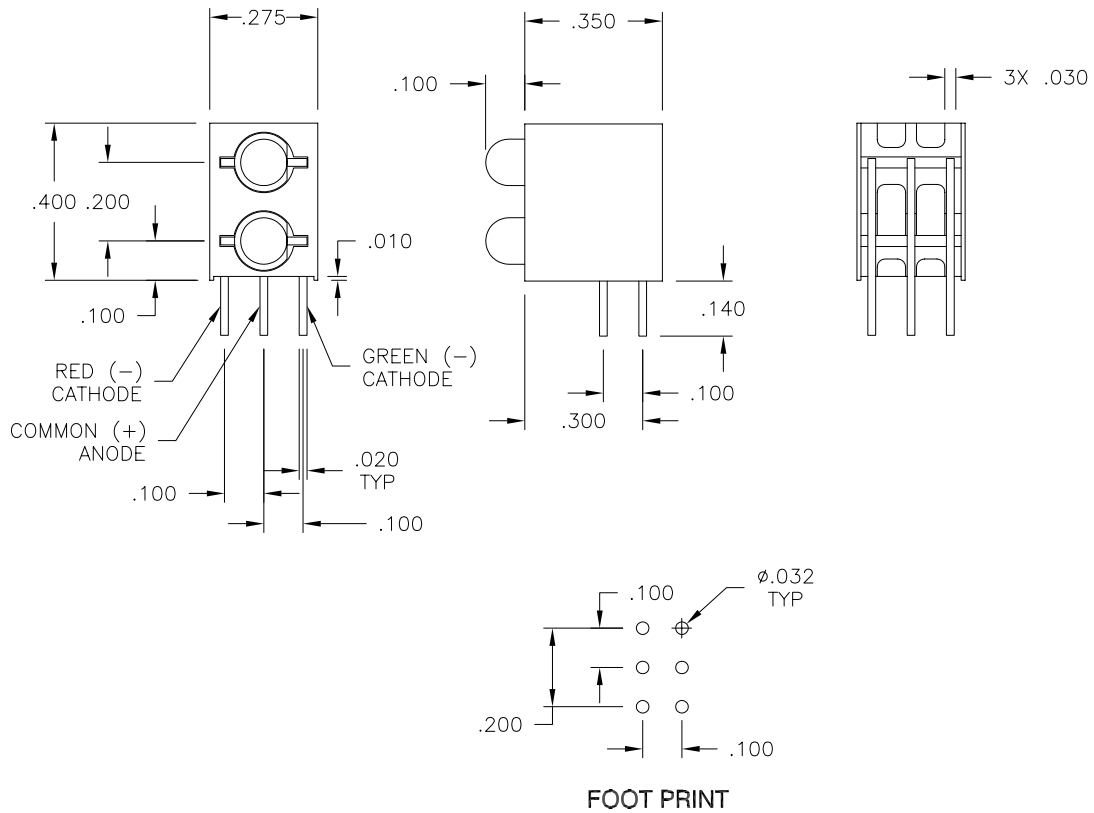


LTR	REVISION	DATE	APPD
-	RELEASE	09-25-01	
A	RVSD PER ECR 062602-WB01	06-26-02	WB



21PCD130TWRG4B-3A	HI-EFF RED	20	2.0/2.6	10	635
	HI-EFF GREEN	20	2.2/2.6	15	568
LEDTRONICS PART NO.	COLOR EMITTED	I mA typ	VOLTS Vf typ/max	lv mcd min/typ	$\lambda P$ nm
		ELECTRICAL TEST			

**LED**<sup>®</sup>  
LEDTRONICS,™ INC.  
23105 KASHIWA COURT  
TORRANCE, CA 90505

**-PROPRIETARY-**  
This document contains Proprietary information of LEDTRONICS,™ INC. It may not be copied, used or disclosed for any purpose without the prior express written consent of LEDTRONICS,™ INC.

.XXX ± .010 TOLERANCE PER ANSI-Y14.5  
.XX ± .025 (UNLESS OTHERWISE STATED)  
ANGLES ± 0°,30'  
FRACT. ± 1/32

TITLE					
21PCD130TWRG4B-3A					
DWG NO	SCALE	SHEET	DATE		
SDPC0509	2:1	1 OF 1	03-24-98		
CODE IDENT NO.	DWG BY	CHK BY	QA	MFG	CUSTOMER
8Z410	RM		JCH 07-16-02	RA 07-15-02	