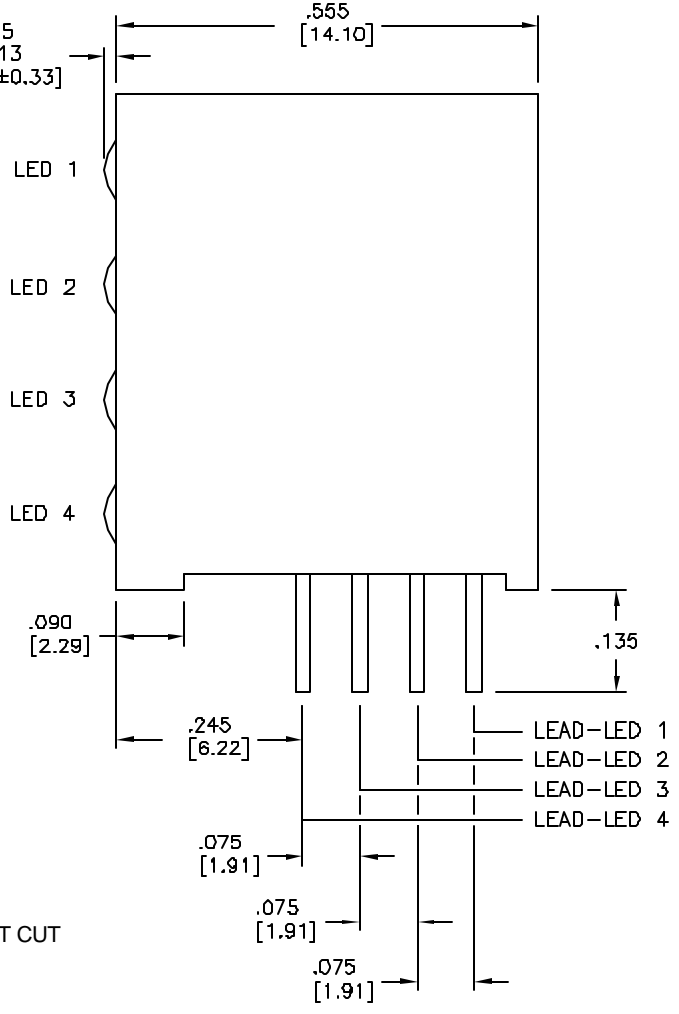
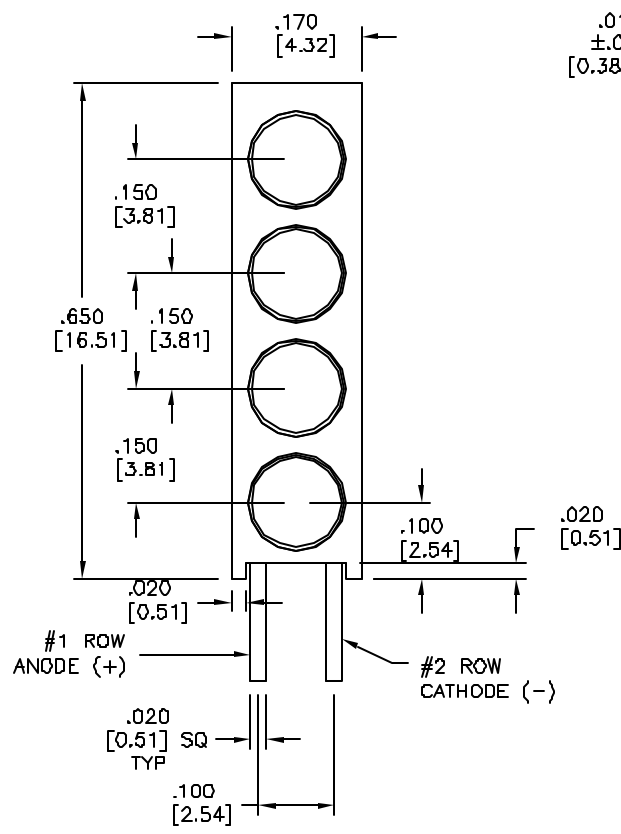


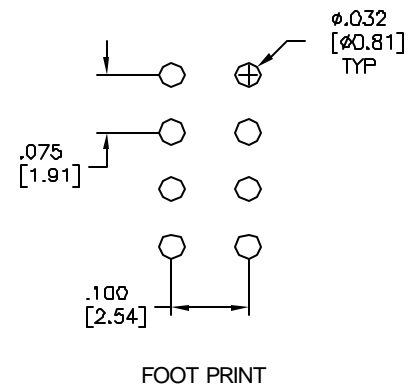
LTR	REVISION	DATE	APPD
-	RELEASED	12-16-99	
A	RVSD PER ECR 092100-RM01	09-21-00	RM
B	RVSD PER ECR 020602-RM01	02-06-02	RM



**NOTES**

1. LED SHALL SHOW NO SCRATCHES.
2. INSPECT LEADS TO BE PARALLEL AND STRAIGHT WITH A STRAIGHT CUT
3. TEST FOR COLOR AND POLARITY
4. ELECTRICAL TEST IN ACCORDANCE WITH TEST TABLE.
5. FINAL WEIGHT/COUNT OF ALL PARTS.

LEDTRONICS PART NO.	L.E.D. RADIATION COLOR	L.E.D. APPEARANCE	ELECTRO-OPTICAL CHARACTERISTICS (T <sub>a</sub> =25°C)				LEAD POLARITY ROW
			I <sub>f</sub> mA	I <sub>v</sub> mcd typ	V <sub>f</sub> =V typ/max	λ <sub>Peak</sub> nm	
41PCS170TR5	HI-EFF RED	DIFFUSED	20	40	1.8/2.4	635	#1+ #2-
41PCS170T05	ORANGE	DIFFUSED	20	13.9	2.0/2.6	610	#1+ #2-
41PCS170TY5	YELLOW	DIFFUSED	20	60	1.8/2.4	585	#1+ #2-
41PCS170TG5	HI-EFF GREEN	DIFFUSED	20	70	1.8/2.4	565	#1+ #2-
41PCS170CR5	HI-EFF RED	CLEAR	10	100	2.0/2.8	635	#1+ #2-
41PCS170CY5	YELLOW	CLEAR	10	90	2.1/2.8	585	#1+ #2-
41PCS170CG5	HI-EFF GREEN	CLEAR	20	110	2.2/3.0	565	#1+ #2-
41PCS170TR3-5V	HI-EFF RED	DIFFUSED	10	4	5/7.5	635	#1+ #2-
41PCS170TY3-5V	YELLOW	DIFFUSED	10	4	5/7.5	585	#1+ #2-
41PCS170TG3-5V	HI-EFF GREEN	DIFFUSED	12	4	5/7.5	565	#1+ #2-
41PCS170TWRG4	HI-EFF RED	WHITE	20	8	2.0/2.8	635	#1 R+ G-
	HI-EFF GREEN	DIFFUSED	20	8	2.1/2.8	568	#2 R- G+
41PCS170TWYG4	YELLOW	WHITE	20	7	2.1/2.6	585	#1 Y+ G-
	HI-EFF GREEN	DIFFUSED	20	6	2.1/2.6	568	#1 Y- G+



**LED**<sup>®</sup>  
**LEDTRONICS, INC.**  
 23105 KASHIWA COURT  
 TORRANCE, CA 90505

PROPRIETARY.  
 This document contains Proprietary Information of LEDTRONICS, INC. It may not be copied, used or disclosed for any purpose without the prior express written consent of LEDTRONICS, INC.

XXX ± .010 TOLERANCE PER ANSI-Y14.5  
 .XX ± .025 (UNLESS OTHERWISE STATED)  
 ANGLES ± 0°.30°  
 FRACT. ± 1/32

TITLE			
41PCS170XX			
DWG NO	SCALE	SHEET	DATE
SDPC0401	4:1	1 OF 1	12-16-99
CODE IDENT NO.	DWG BY	CHK BY	QA JCH MFG RA
8Z410	SMA		02-06-02 02-06-02
			CUSTOMER