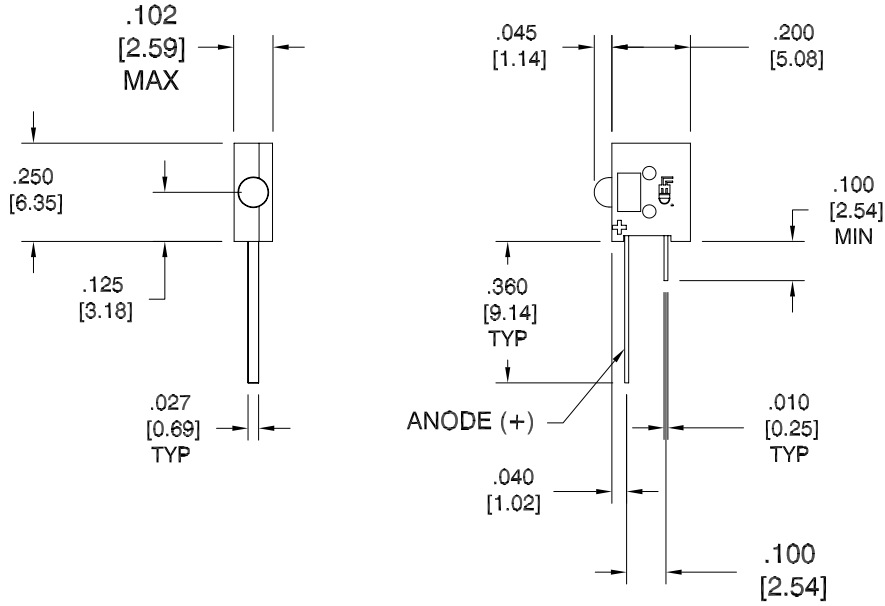


LTR	REVISION	DATE	APPD
-	RELEASED	11-09-11	



**NOTES:**

1. BASE MATERIAL: VALOX UL RATING UL94V-1 MIN / 94V-0 PREFERRED
2. COLOR: BLACK

REVISION NOTIFICATION	
<input type="checkbox"/>	PMA
<input type="checkbox"/>	UL
<input type="checkbox"/>	MADE IN USA
<input type="checkbox"/>	CUSTOMER _____
<input type="checkbox"/>	OTHER

LEDTRONICS PART NO.	LED RADIATION COLOR	LENS COLOR	ABSOLUTE MAXIMUM RATING (T <sub>a</sub> =25°C)					ELECTRO-OPTICAL CHARACTERISTICS (T <sub>a</sub> =25°C)						
			P <sub>d</sub> mW	I <sub>fp</sub> mA	I <sub>f</sub> mA	V <sub>r</sub> V	T <sub>opr</sub> / T <sub>stg</sub> (°C)	I <sub>f</sub> mA	I <sub>v</sub> mcd min/typ	V <sub>f</sub> = V typ/max	Δλ nm	VIEWING ANGLE	I <sub>r</sub> max μA	λ <sub>Peak</sub> nm
555M-2101-001	HI-EFF RED	RED DIFFUSED	100	150	30	5	-40°C TO +85°C	10	7.0	1.9/2.5	43	90°	100	640



**-PROPRIETARY-**  
 This document contains Proprietary information of LEDTRONICS, INC. It may not be copied, used or disclosed for any purpose without the prior express written consent of LEDTRONICS, INC.

.XXX ± .010 TOLERANCE PER ANSI-Y14.5  
 .XX ± .025 (UNLESS OTHERWISE STATED)  
 ANGLES ± 0°,30'  
 FRACT. ± 1/32

TITLE <b>555M-2101-001</b>					
DWG NO SDPC0668-CUST		SCALE 2:1		SHEET 1 OF 1	
DATE 11-09-11		MFG		R&D	
CODE IDENT NO. 8Z410	DWG BY GP 11-09-11	CHK BY PL 11-09-11	QA		