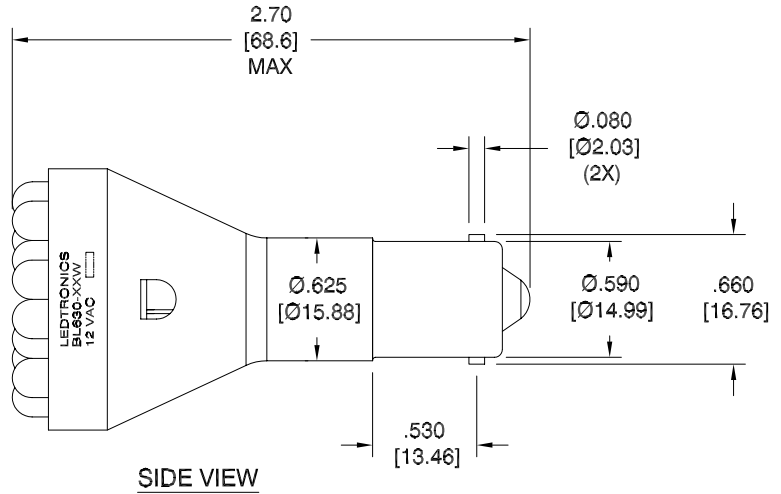
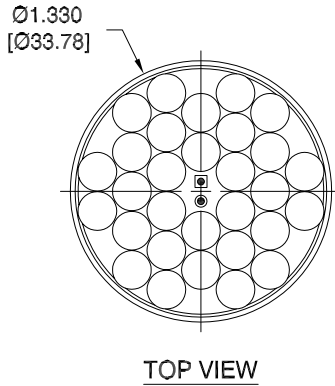


LTR	REVISION	DATE	APPD
-	RELEASED	02-25-13	



NOTES:

1. ALL DIMENSIONS ARE IN INCHES [MILLIMETERS].
2. SLEEVE MATERIAL: RYNITE FR530
3. BASE MATERIAL: BRASS



ELECTRO-OPTICAL CHARACTERISTICS

LEDTRONICS PART NO.	COLOR EMITTED	INPUT VOLTAGE, V	CURRENT (A)	POWER (W)	LIGHT OUTPUT per LED Iv, cd	COLOR TEMP. (Kelvin)	VIEWING ANGLE @ 50% INTENSITY
BL630-SIW-012AM	WARM WHITE	12Vac	0.120~0.170	~1.7W	144 cd	2800K~3200K	30°~40°
BL630-SIW-012AS	WARM WHITE	12Vac	0.120~0.170	~1.7W	221 cd	2800K~3200K	15°~25°
BL630-TPW-012AM	TRUE WHITE	12Vac	0.120~0.170	~1.7W	207 cd	4800K~5200K	30°~40°
BL630-TPW-012AS	TRUE WHITE	12Vac	0.120~0.170	~1.7W	252 cd	4800K~5200K	15°~25°

REVISION NOTIFICATION	
<input type="checkbox"/>	PMA
<input type="checkbox"/>	UL/ETL
<input type="checkbox"/>	MADE IN USA
<input type="checkbox"/>	CUSTOMER _____
<input type="checkbox"/>	OTHER

LED[®]
LEDTRONICS, INC.[™]
23105 KASHIWA COURT
TORRANCE, CA 90505

-PROPRIETARY-
This document contains Proprietary information of LEDTRONICS, INC. It may not be copied, used or disclosed for any purpose without the prior express written consent of LEDTRONICS, INC.

.XXX ± .010 TOLERANCE PER ANSI-Y14.5
.XX ± .025 (UNLESS OTHERWISE STATED)
ANGLES ± 0°,30'
FRACT. ± 1/32

TITLE BL630-XXW-012AX					
DWG NO BL630-12VAC		SCALE 1:1	SHEET 1 OF 1	DATE 02-25-13	
CODE IDENT NO. 8Z410	DWG BY GP 02-25-13	CHK BY PL 02-25-13	QA	MFG	R&D