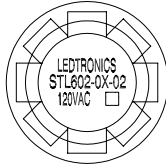
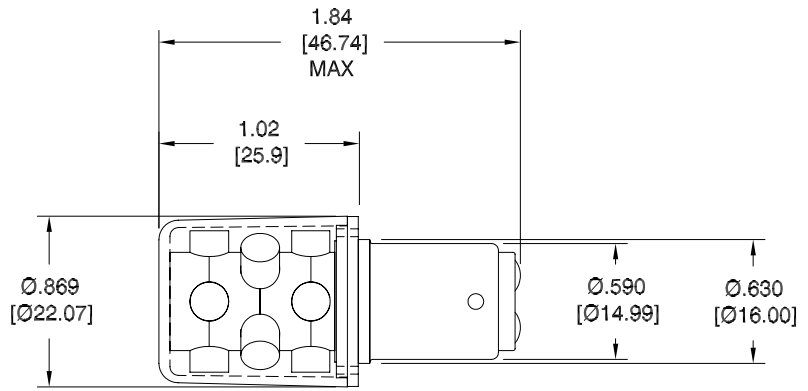


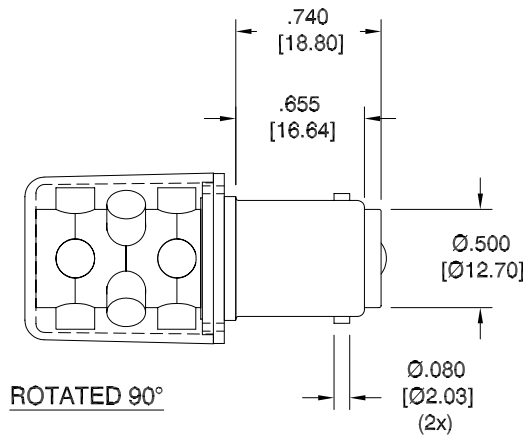
LTR	REVISION	DATE	APPD
-	RELEASED	06-27-13	



TOP VIEW



SIDE VIEW



ROTATED 90°

NOTES:

1. ALL DIMENSIONS ARE IN INCHES [MILLIMETERS].
2. LENS MATERIAL: WATERCLEAR, POLYCARBONATE LEXAN 101 (UL94V-2)
3. SLEEVE MATERIAL: CLEAR, POLYCARBONATE LEXAN 141
4. SPACER MATERIAL: POLYCARBONATE, UL94V-2
5. BASE MATERIAL: NICKEL PLATED BRASS



REVISION NOTIFICATION

<input type="checkbox"/>	PMA
<input type="checkbox"/>	UL
<input type="checkbox"/>	MADE IN USA
<input type="checkbox"/>	CUSTOMER _____
<input type="checkbox"/>	OTHER

ELECTRO-OPTICAL CHARACTERISTICS

STL602-01-02	ULTRA RED	120VAC	2.2 W	0.020 A	1.475cd	652	-
STL602-02-02	SUPER ORANGE	120VAC	2.2 W	0.020 A	0.825cd	610	-
STL602-03-02	AQUA GREEN	120VAC	2.2 W	0.015 A	4.800cd	518	-
STL602-04-02	SUPER YELLOW	120VAC	2.2 W	0.020 A	4.800cd	594	-
STL602-05-02	SUPER BLUE	120VAC	2.2 W	0.015 A	1.525cd	462	-
STL602-06-02	COOL WHITE	120VAC	2.2 W	0.015 A	1.920cd	-	8000K
LEDTRONICS PART NO.	COLOR EMITTED	INPUT VOLTAGE, V	POWER (W)	CURRENT (A)	MAXIMUM CANDELA	λP nm	COLOR TEMP. (K)



**-PROPRIETARY-**  
 This document contains Proprietary information of LEDTRONICS, INC. It may not be copied, used or disclosed for any purpose without the prior express written consent of LEDTRONICS, INC.

.XXX ± .010 TOLERANCE PER ANSI-Y14.5 (UNLESS OTHERWISE STATED)  
 .XX ± .025  
 ANGLES ± 0°,30'  
 FRACT. ± 1/32

TITLE		STL602-0X-02		StackLED®	
DWG NO	SCALE	SHEET	DATE		
STL60202-CUST	1:1	1 OF 1	06-27-13		
CODE IDENT NO.	DWG BY	CHK BY	QA	MFG	R&D
8Z410	GP 06-27-13	PL 06-27-13			