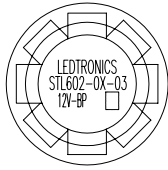
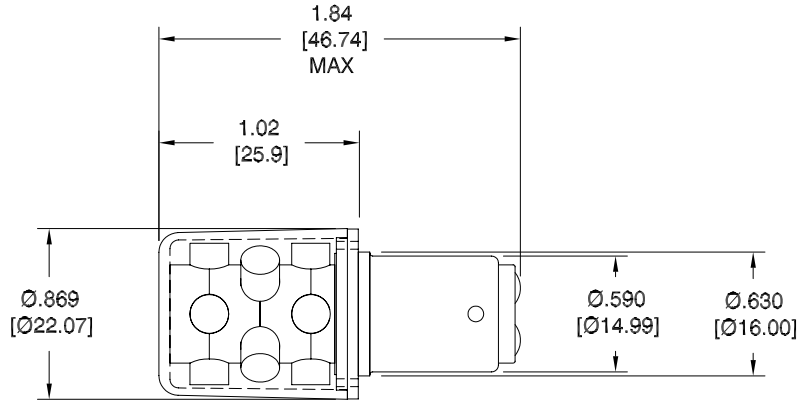


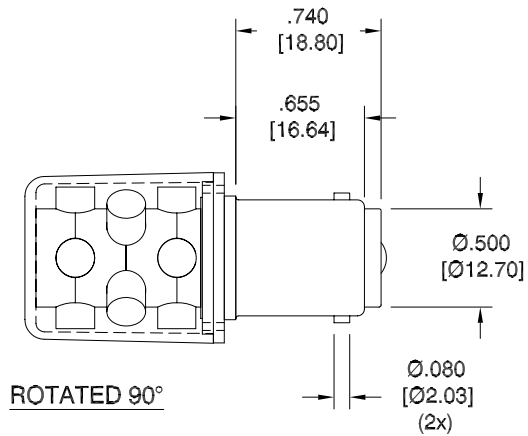
LTR	REVISION	DATE	APPD
-	RELEASED	12-07-11	



TOP VIEW



SIDE VIEW



ROTATED 90°



NOTES:

1. ALL DIMENSIONS ARE IN INCHES [MILLIMETERS].
2. ALL PARTS WITH (*) ARE "RoHS" CERTIFIED.
3. LENS MATERIAL: WATERCLEAR, POLYCARBONATE LEXAN 101 (UL94V-2)
4. SLEEVE MATERIAL: CLEAR, POLYCARBONATE LEXAN 141
5. SPACER MATERIAL: POLYCARBONATE, UL94V-2
6. BASE MATERIAL: NICKEL PLATED BRASS

REVISION NOTIFICATION
<input type="checkbox"/> PMA
<input type="checkbox"/> UL
<input type="checkbox"/> MADE IN USA
<input type="checkbox"/> CUSTOMER _____
<input type="checkbox"/> OTHER

STL602-01-03 *	ULTRA RED	12Vcd BP	35-50	1475	652
STL602-03-03	AQUA GREEN	12Vcd BP	60-80	4800	518
STL602-04-03 *	SUPER YELLOW	12Vcd BP	35-50	1400	594
LEDTRONICS PART NO.	COLOR EMITTED	INPUT VOLTAGE, V	READ mA (min/max)	Iv, mcd (typ)	λP nm
ELECTRICAL TEST					

LED[®]
LEDTRONICS, INC.[™]
 23105 KASHIWA COURT
 TORRANCE, CA 90505

-PROPRIETARY-
 This document contains Proprietary information of LEDTRONICS, INC. It may not be copied, used or disclosed for any purpose without the prior express written consent of LEDTRONICS, INC.

.XXX ± .010 TOLERANCE PER ANSI-Y14.5 (UNLESS OTHERWISE STATED)
 .XX ± .025
 ANGLES ± 0°,30'
 FRACT. ± 1/32

TITLE		STL602-0X-03		StackLED [®]	
DWG NO	SCALE	SHEET	DATE		
STL60204-CUST	1:1	1 OF 1	12-07-11		
CODE IDENT NO.	DWG BY	CHK BY	QA	MFG	R&D
8Z410	GP 12-07-11	PL 12-07-11			BJ 12-07-11