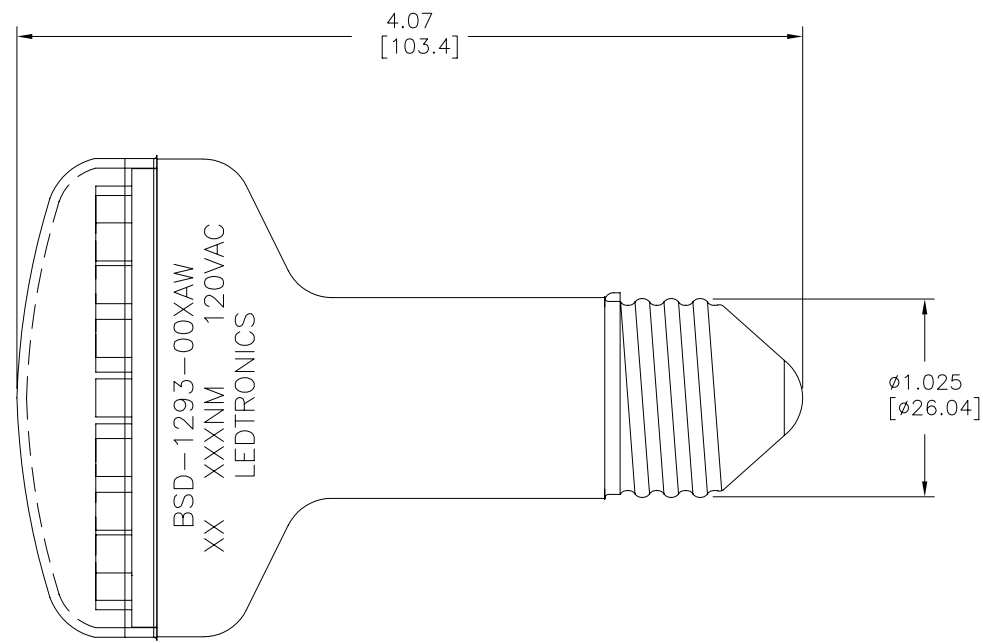


TOP VIEW



SIDE VIEW

NOTES:

1. SLEEVE MATERIAL: RYNITE
2. LENS MATERIAL: POLYCARBONATE LEXAN 141
3. BASE MATERIAL: BRASS, NICKEL PLATED BRASS

REVISION NOTIFICATION	
<input type="checkbox"/>	PMA
<input type="checkbox"/>	UL
<input type="checkbox"/>	MADE IN USA
<input type="checkbox"/>	CUSTOMER _____
<input type="checkbox"/>	OTHER

LEDTRONICS PART NO.	COLOR EMITTED	INPUT VOLTAGE	READ mA typ	POWER (W)	$\lambda_P$ nm	VIEWING ANGLE
BSD-1293-001AW	ULTRA RED	120VAC	20	1.70 W	660	120°
BSD-1293-004AW	YELLOW	120VAC	20	1.70 W	585	120°
BSD-1293-007AW	PURE GREEN	120VAC	20	1.70 W	557	120°

ELECTRICAL CHARACTERISTICS

  
**LEDTRONICS,™ INC.**  
 23105 KASHIWA COURT  
 TORRANCE, CA 90505

-PROPRIETARY-  
 This document contains Proprietary information of LEDTRONICS,™ INC. It may not be copied, used or disclosed for any purpose without the prior express written consent of LEDTRONICS,™ INC.

.XXX ± .010 TOLERANCE PER ANSI-Y14.5  
 .XX ± .025 (UNLESS OTHERWISE STATED)  
 ANGLES ± 0°.30'  
 FRACT. ± 1/32

TITLE <b>BSD-1293-00XAW</b>					
DWG NO	SCALE	SHEET	DATE		
B1293001-CUST	1:1	1 OF 1	08-02-12		
CODE IDENT NO.	DWG BY	CHK BY	QA	MFG	R&D
8Z410	MM 08-02-12		RD 08-14-12	LD 08-14-12	BJ 08-14-12