

L200CWIR881

Infrared

5mm, Flanged Cylindrical, 8.6mm Height
20° viewing angle

DWG BY:
LL / GP
01-10-07

CHK BY:
PL
09-11-07

QA:

_____-____-

MFG:

_____-____-

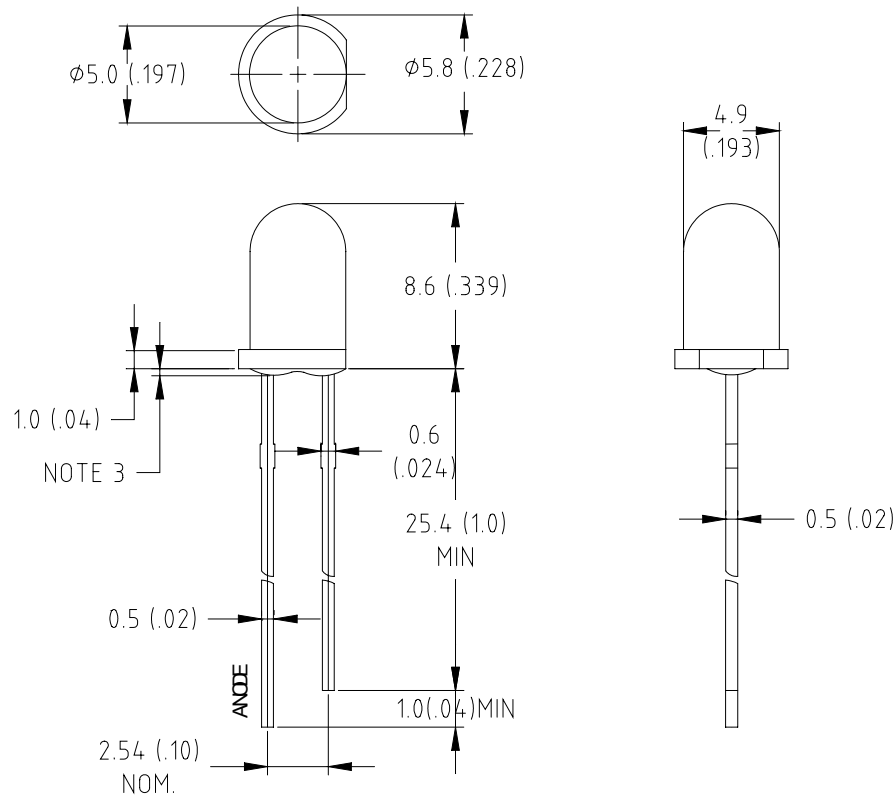
REVISION LTR: -

09-11-07

Features:

- ◆ Standard 5mm diameter package
- ◆ Infrared Emitting Diode
- ◆ Tinned leads
- ◆ Pb-free

Package Dimensions:



WARNING: DO NOT LOOK AT LED DIRECTLY WHEN POWER IS ON, USE IR CAMERA TO VIEW LED.

Part No.	Chip Material	Lens Color	Emission Color
L200CWIR881	AlGaAs	Water Clear	Infrared

Notes:

1. All dimensions are in millimeters (inches).
2. Tolerance is ±0.25 mm (.010") unless otherwise noted.
3. Protruded resin under flange is 1.0mm(.04") max
4. Lead spacing is measured where the leads emerge from the package.
5. Specifications are subject to change without notice.

