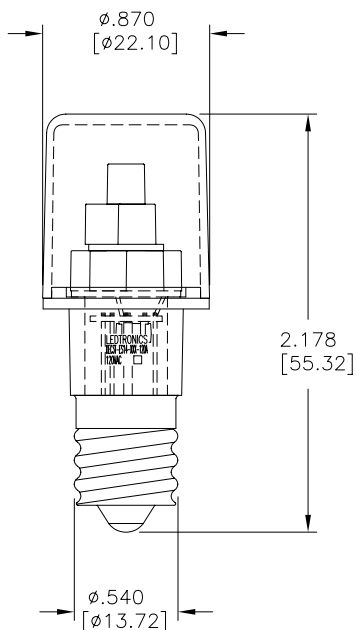


LTR	REVISION	DATE	APPD
A	121411-MM01:ADDED DEC3T-ES14-HIW-120A	12-14-11	MM



NOTES:

1. LENS MATERIAL: CLEAR, POLYCARBONATE LEXAN 101 (UL94V-2)
2. SLEEVE MATERIAL: CLEAR, POLYCARBONATE.
3. BASE MATERIAL: ALUMINUM

DEC3T-ES14-0ER-120A	SUPER RED	120VAC	14-17	0.8-1 W	-	640
DEC3T-ES14-0PY-120A	SUPER YELLOW	120VAC	14-17	0.8-1 W	-	594
DEC3T-ES14-0UO-120A	SUPER ORANGE	120VAC	14-17	0.8-1 W	-	610
DEC3T-ES14-0UR-120A	ULTRA RED	120VAC	14-17	0.8-1 W	-	652
DEC3T-ES14-2AG-120A	AQUA GREEN	120VAC	14-17	0.8-1 W	-	525
DEC3T-ES14-2PB-120A	SUPER BLUE	120VAC	14-17	0.8-1 W	3.7 lm	462
DEC3T-ES14-HIW-120A	WARM WHITE	120VAC	14-17	0.8-1 W	52 lm	2800K
DEC3T-ES14-XCW-120A	COOL WHITE	120VAC	9-15	0.8-1 W	13 lm	8000K
DEC3T-ES14-XIW-120A	WARM WHITE	120VAC	9-15	0.8-1 W	12 lm	3000K
LEDTRONICS PART NO.	COLOR EMITTED	INPUT VOLTAGE	READ mA typ	POWER (W)	TOTAL LUMENS	λP nm
ELECTRICAL TEST						

REVISION NOTIFICATION	
<input type="checkbox"/>	PMA
<input type="checkbox"/>	UL
<input type="checkbox"/>	MADE IN USA
<input type="checkbox"/>	CUSTOMER _____
<input type="checkbox"/>	OTHER

LED[®]
LEDTRONICS,™ INC.
 23105 KASHIWA COURT
 TORRANCE, CA 90505

-PROPRIETARY-
 This document contains Proprietary information of LEDTRONICS, INC. It may not be copied, used or disclosed for any purpose without the prior express written consent of LEDTRONICS, INC.

.XXX ± .010 TOLERANCE PER ANSI-Y14.5
 .XX ± .025 (UNLESS OTHERWISE STATED)
 ANGLES ± 0',30'
 FRACT. ± 1/32

TITLE			
DEC3T-ES14-XXX-120A			
DWG NO	SCALE	SHEET	DATE
DEC00119-CUST	1:1	1 OF 1	12-10-08
CODE IDENT NO.	DWG BY	CHK BY	QA
8Z410	GP 12-10-08		RD 12-16-11
MFG	R&D		
LD 12-15-11	BJ 12-15-11		